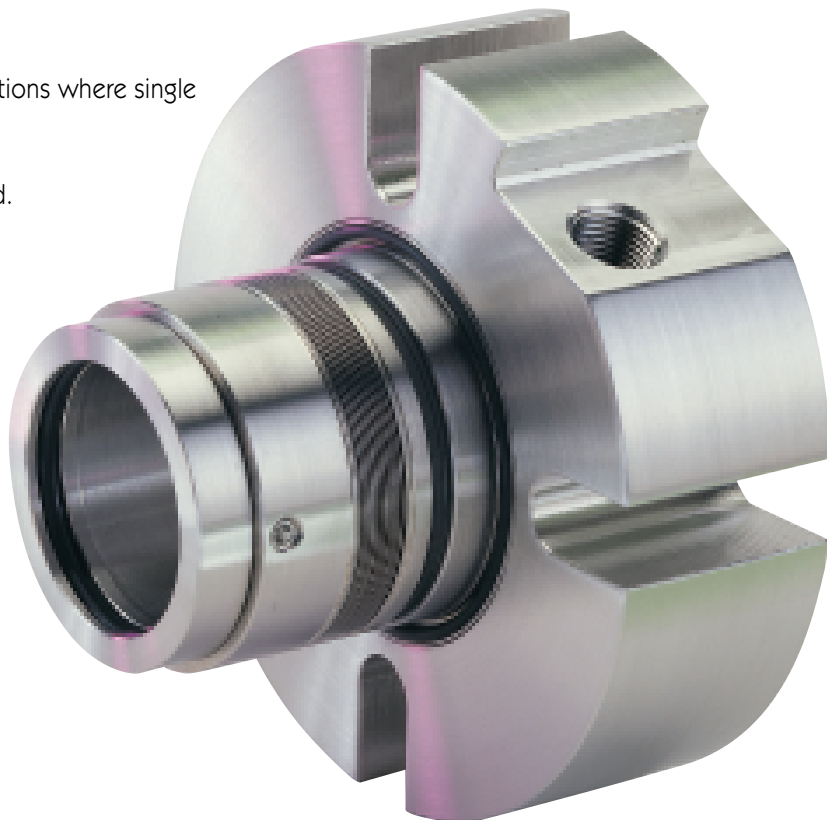
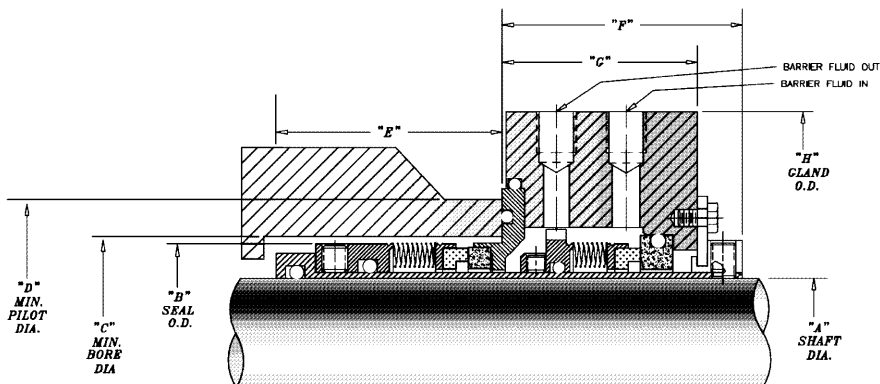
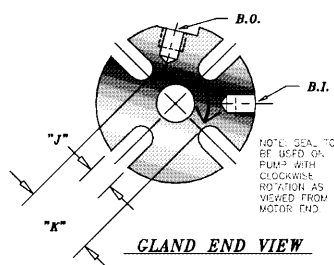


# Style 78 Tandem Rotating Welded Bellows Cartridge

- Cartridges for the critical, toxic and fugitive emission applications where single seals are not acceptable.
- Easy-to-install cartridge design.
- Incorporated pumping rings improves cooling of barrier fluid.
- Tangential connections maximizes flow of barrier fluid.
- Can be operated in pressurized or non-pressurized state.
- Static "O" rings throughout.
- Self-cleaning bellows action.
- Fits standard pumps without modification.
- Large inlet port and smaller outlet port enhances flow of barrier fluid.
- Retained faces eliminate troublesome drive pins.
- Tandem design maintains product and barrier fluid on O.D. of both seals for increased safety and heat dissipation.
- Hydraulically balanced design.
- Shrouded face design for added protection.



ROTATING METAL BELLOWS  
DUAL TANDEM CARTRIDGE SEAL



SIZE	A	B	C	D	E	F	G	H	J	K
-16	1.000	1.687	1.750	2.152	2.025	2.062	1.696	4.125	.437	2.463
-18	1.125	1.694	1.750	2.152	2.031	2.062	1.696	4.250	.437	2.463
-20	1.250	1.937	2.000	2.400	2.062	2.125	1.760	4.250	.437	2.583
-22	1.375	1.944	2.000	2.462	2.062	2.031	1.665	4.250	.437	2.813
-24	1.500	2.188	2.250	2.652	2.250	2.125	1.760	4.500	.563	3.063
-26	1.625	2.312	2.375	2.812	2.210	2.125	1.760	5.000	.563	3.125
-28	1.750	2.437	2.500	2.834	2.337	2.125	1.760	5.500	.563	3.188
-30	1.875	2.562	2.625	2.959	2.337	2.125	1.760	5.500	.563	3.313
-32	2.000	2.687	2.750	3.250	2.337	2.125	1.760	5.500	.563	3.570
-34	2.125	2.812	3.000	3.464	2.400	2.125	1.760	6.000	.688	3.813
-36	2.250	2.937	3.125	3.464	2.400	2.125	1.760	6.250	.688	3.813
-38	2.375	3.187	3.250	3.822	2.312	2.250	1.884	6.250	.688	3.938
-40	2.500	3.312	3.375	3.714	2.407	2.194	1.828	6.500	.688	4.125
-42	2.625	3.437	3.625	4.250	2.462	2.625	2.260	6.500	.688	4.375
-44	2.750	3.625	3.750	4.250	2.500	2.469	2.103	7.500	.688	4.625
-60	3.750	4.625	4.750	5.250	2.719	2.750	2.312	8.750	.813	5.688

## SEAL SPECIFICATIONS

Standard Material:	<b>Carbon</b>
Rotary Faces	<b>Nickel Bound Tungsten Carbide Silicon Carbide</b>
Stationary Faces	<b>Silicon Carbide</b>
Inboard Bellows	<b>Hastelloy C276*</b>
Outboard Bellows	<b>Am 350 Stainless Steel</b>
Metal Parts	<b>Am 350 Stainless Steel 316 Stainless Steel Hastelloy C276*</b>
O. Rings	<b>Viton® Ethylene Propylene AFLAS** Perfluoroelastomer Teflon Jacketed Viton®***</b>
Max Temp:	<b>400 °F</b>
Max Pressure:	
Inboard	<b>300 psi</b>
Outboard	<b>250 psi</b>
Differential pressure	<b>15-25 psig recommended, consult factory if greater</b>
Speed	<b>4500 fpm</b>

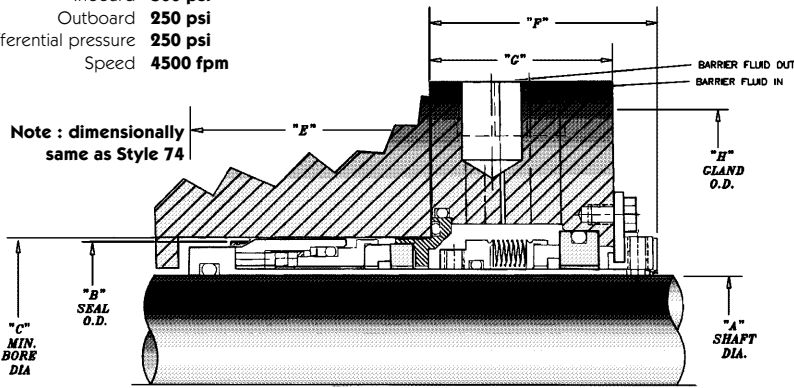
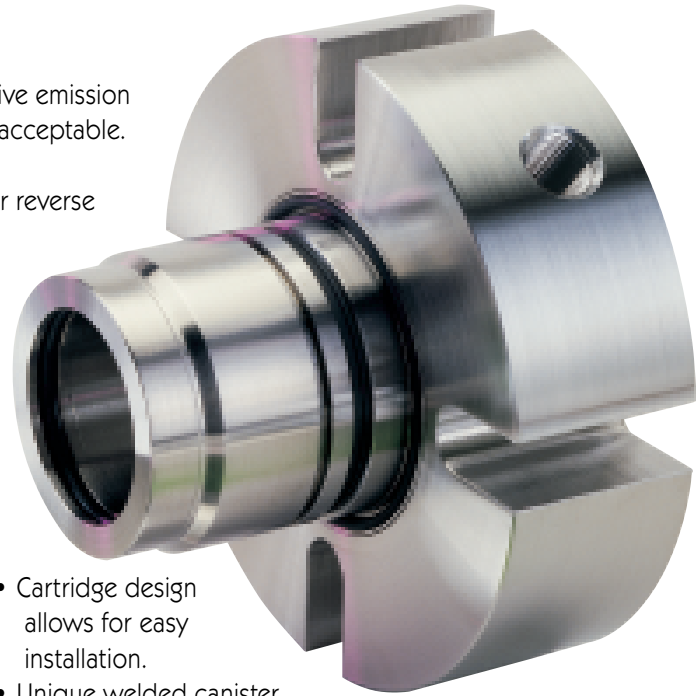
# ECONOMICAL DUAL CARTRIDGES

## Style 72

### SEAL SPECIFICATIONS

Standard Material:	
Rotary Faces	<b>Carbon</b> <b>Nickel Bound Tungsten Carbide</b> <b>Silicon Carbide</b>
Stationary Faces	<b>Silicon Carbide</b>
Inboard Multiple Springs	<b>Hastelloy C 276™</b>
Outboard Bellows	<b>Am 350 Stainless Steel</b>
Metal Parts	<b>316 Stainless Steel</b>
O. Rings	<b>Viton®</b> <b>Ethylene Propylene AFLAS**</b> <b>Perfluoroelastomer</b> <b>Teflon Jacketed Viton®***</b>
Max Temp:	<b>400 °F</b>
Max Pressure:	
Inboard	<b>300 psi</b>
Outboard	<b>250 psi</b>
Differential pressure	<b>250 psi</b>
Speed	<b>4500 fpm</b>

- Cartridges for the critical, toxic and fugitive emission applications where single seals are not acceptable.
- Rotating design.
- Double balanced inboard face allows for reverse pressures in upset conditions.
- Tandem design maintains product and barrier fluid on O.D. of both seals for increased safety and heat dissipation.
- Multi-spring design inboard.
- Springs are isolated from the product.
- Outboard bellows design allows for more efficient cooling of barrier fluid.



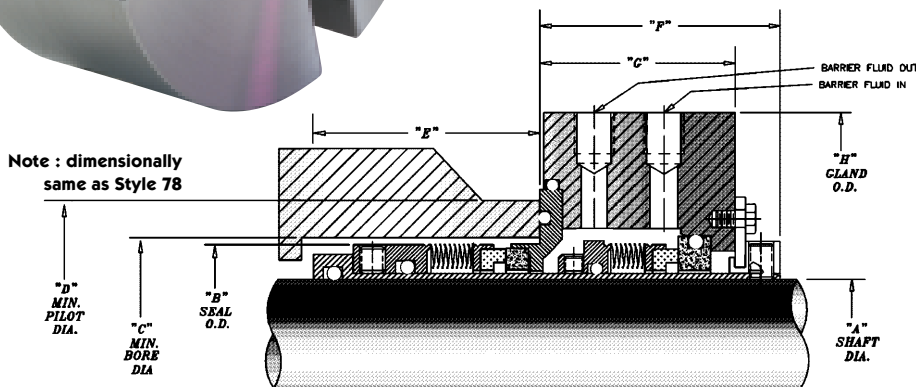
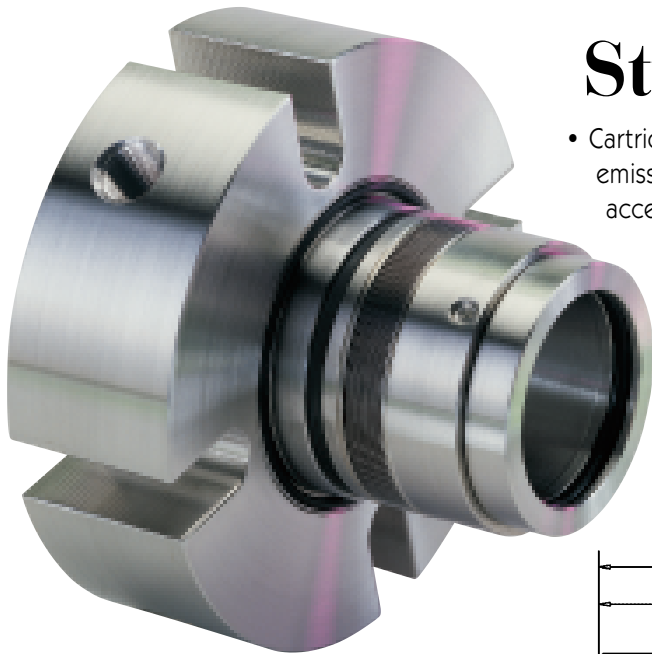
Note : dimensionally same as Style 74

- Cartridge design allows for easy installation.
- Unique welded canister design ensures positive torque transfer from shaft.
- Smooth profile reduces product buildup in stuffing box.
- Retained seal faces eliminate troublesome pins.
- Hydraulically balanced.
- Shrouded face design.
- Repair kits available.

## Cost-effective safety and performance

## Style 76

- Cartridges for the critical, toxic and fugitive emission applications where single seals are not acceptable.
  - Can be operated in pressurized or non-pressurized state.
  - Static "o" rings throughout.
  - Tandem design maintains product and barrier fluid on O.D. of both seals for increased safety and heat dissipation.



Note : dimensionally same as Style 78

### SEAL SPECIFICATIONS

Standard Material:	
Rotary Faces	<b>Carbon</b> <b>Nickel Bound Tungsten Carbide</b> <b>Silicon Carbide</b>
Stationary Faces	<b>Silicon Carbide</b>
Inboard Bellows	<b>Am 350 Stainless Steel</b> <b>Hastelloy C276™</b>
Outboard Bellows	<b>Am 350 Stainless Steel</b> <b>316 Stainless Steel</b>
Metal Parts	<b>Viton®</b> <b>Ethylene Propylene AFLAS**</b> <b>Perfluoroelastomer</b> <b>Teflon Jacketed Viton®***</b>
O. Rings	<b>Viton®***</b>
Max Temp:	<b>400 °F</b>
Max Pressure:	
Inboard	<b>300 psi</b>
Outboard	<b>250 psi</b>
Differential pressure	<b>15-25 psig recommended, consult factory if greater</b>
Speed	<b>4500 fpm</b>

- Self-cleaning bellows action.
- Fits standard pumps without modification.
- Large inlet port and smaller outlet port enhances flow.
- Easy-to-install cartridge design.
- Retained faces.
- Hydraulically balanced.
- Shrouded face design.