

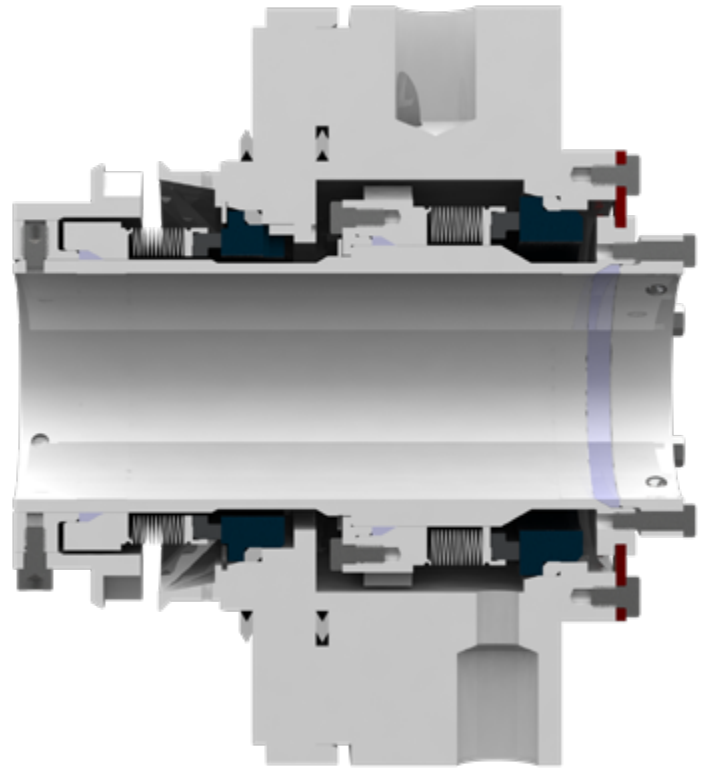
HEAVY DUTY ROTATING METAL BELLOWS CARTRIDGE SEAL

FOR HIGHER TEMPERATURE AND DIRTY CRITICAL SERVICES WHERE LEAKAGE MUST BE COMPLETELY CONTAINED

The Flexaseal Style 78 tandem cartridge seal is specifically designed for ruggedness and durability to withstand higher temperature or dirty services where leakage and emissions must be completely contained. Design elements include retained faces to allow for pressurized or unpressurized barrier systems, rotating metal bellows for self-cleaning and pilot gland to positively center the seal.

Style 78 is available in a High Temperature (HT) design with static O-Rings or with Grafoil Packing. This allows for operating temperatures up to 800F, while improving reliability by eliminating the dynamic secondary sealing element.

The Style 78 cartridge seal is uniquely customizable to your specific application requirements. API 682 Compliant options are also available.



MATERIALS OF CONSTRUCTION

Rotary Faces	Carbon, Nickel Bound Tungsten Carbide, Silicon Carbide
Stationary Faces	Silicon Carbide
Inboard Bellows	Hastelloy C276™, AM 350 Stainless Steel, Inconel 718™
Outboard Bellows	AM 350 Stainless Steel, Inconel 718™
Metal Parts	316 Stainless Steel, Hastelloy C276™
O. Rings	Viton®, Ethylene Propylene, AFLAS**, Perfluoroelastomer, Teflon Jacketed Viton®***

OPERATING PARAMETERS

Max Temp	800°F
Max Pressure	400 PSIG
Max Speed	4500 FPM

* Max Temperature / pressure / speed indicate operating extremes independently and do not imply the seal will function at these extremes at the same time. Contact Flexaseal if in doubt.

HEAVY DUTY ROTATING METAL BELLOWS CARTRIDGE SEAL

FOR HIGHER TEMPERATURE AND DIRTY CRITICAL SERVICES WHERE LEAKAGE MUST BE COMPLETELY CONTAINED

DESIGN FEATURES & BENEFITS

