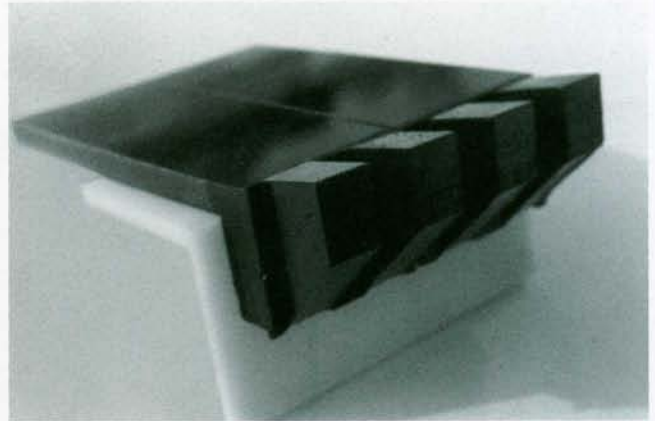
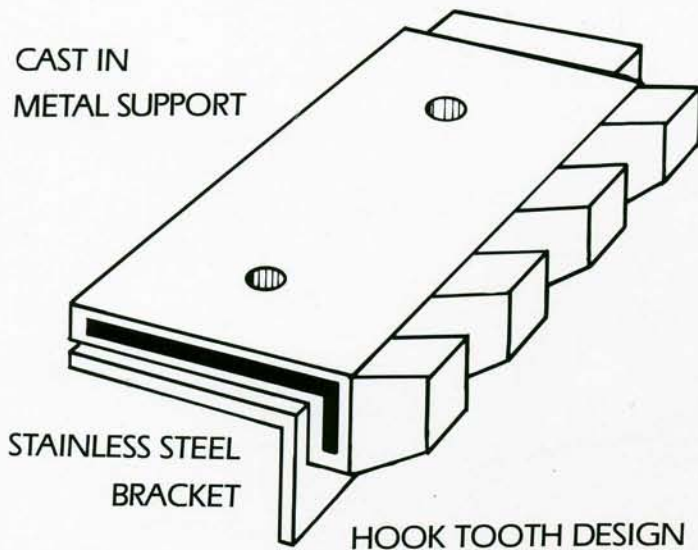


FLEX-A-GARD

POLYURETHANE BAR SCREEN RAKES



1 Flex-A-Gard steel reinforced polyurethane bar screen rakes are designed to operate in the toughest conditions that can occur in the waste water plant. They are produced by encapsulating a metal support bar in polyurethane.

2 Because polyurethane rakes are 2/3rds lighter than the steel rakes they replace, they are easier and faster to install. This quality makes working in the harsh environment of the bar screen less of a time consuming, back breaking chore.

3 Reduction of the weight of the rakes also adds considerable life to the chain and sprocket system that pulls them. 2 to 3 times the life of a conventional system is not uncommon.

4 Urethane rakes are resistant to most chemicals found in waste water. They will not rust.

5 Rakes are available in sectional design. This makes replacement a simple task.

6 Hooked tooth design greatly adds to the rakes ability to remove trash from the rack.

7 Rakes can be custom designed for your application, be it front clean or back clean.

8 With the use of polyurethane rakes you can now use non-metallic chain on your bar screen.

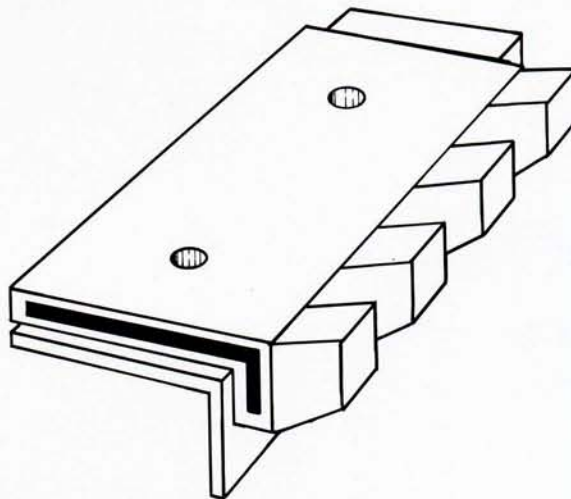
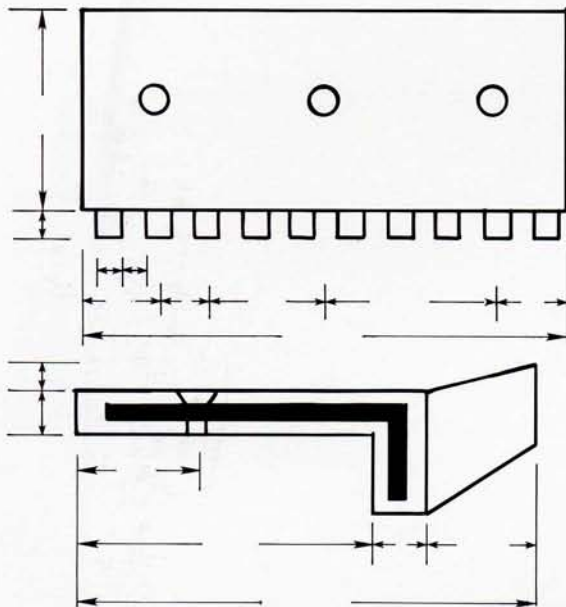


A Division of Flex-a-Seal, One Jackson Street, P.O. Box 184, Essex Jct. VT 05453-0184

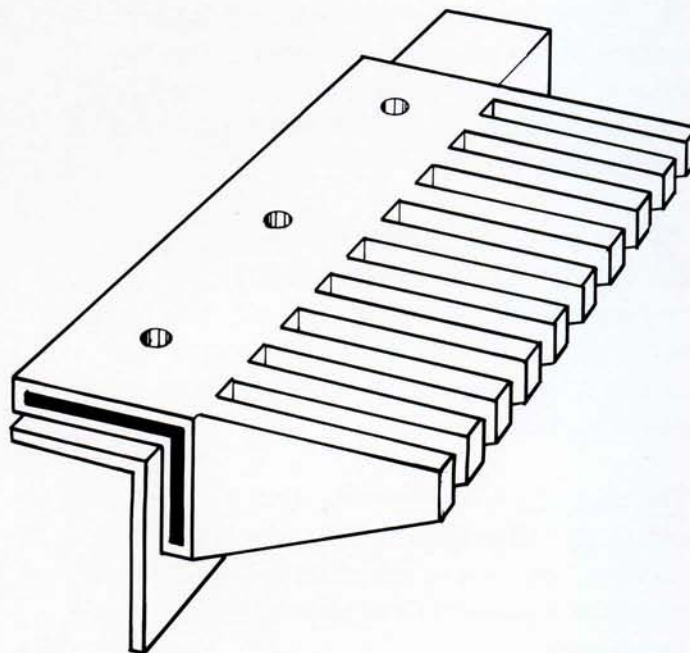
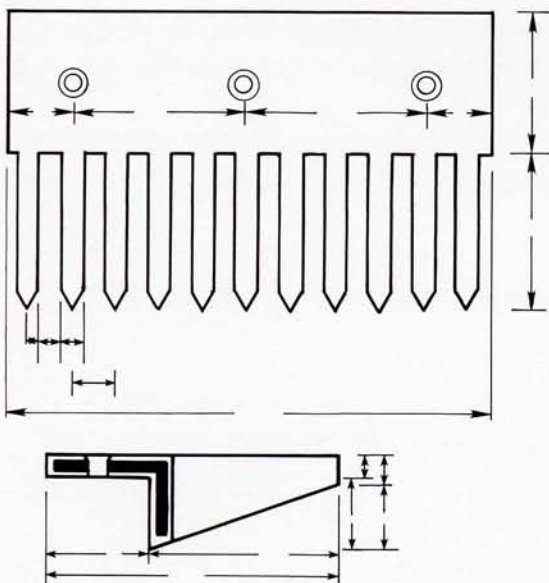
(800) 426-3594 FAX (802) 878-2479

Flex-A-Gard Rakes are constructed from polyurethane molded around an L-shaped steel support bar. Rakes are constructed in such a manner that the teeth mesh properly with the bar screen rack assembly. Rakes are attached to an angle bracket manufactured from 304 stainless steel. All hardware is 304 stainless steel.

FRONT CLEAN SECTION



BACK CLEAN SECTION



A Division of Flex-a-Seal, One Jackson Street, P.O. Box 184, Essex Jct. VT 05453-0184

(800) 426-3594 FAX (802) 878-2479

