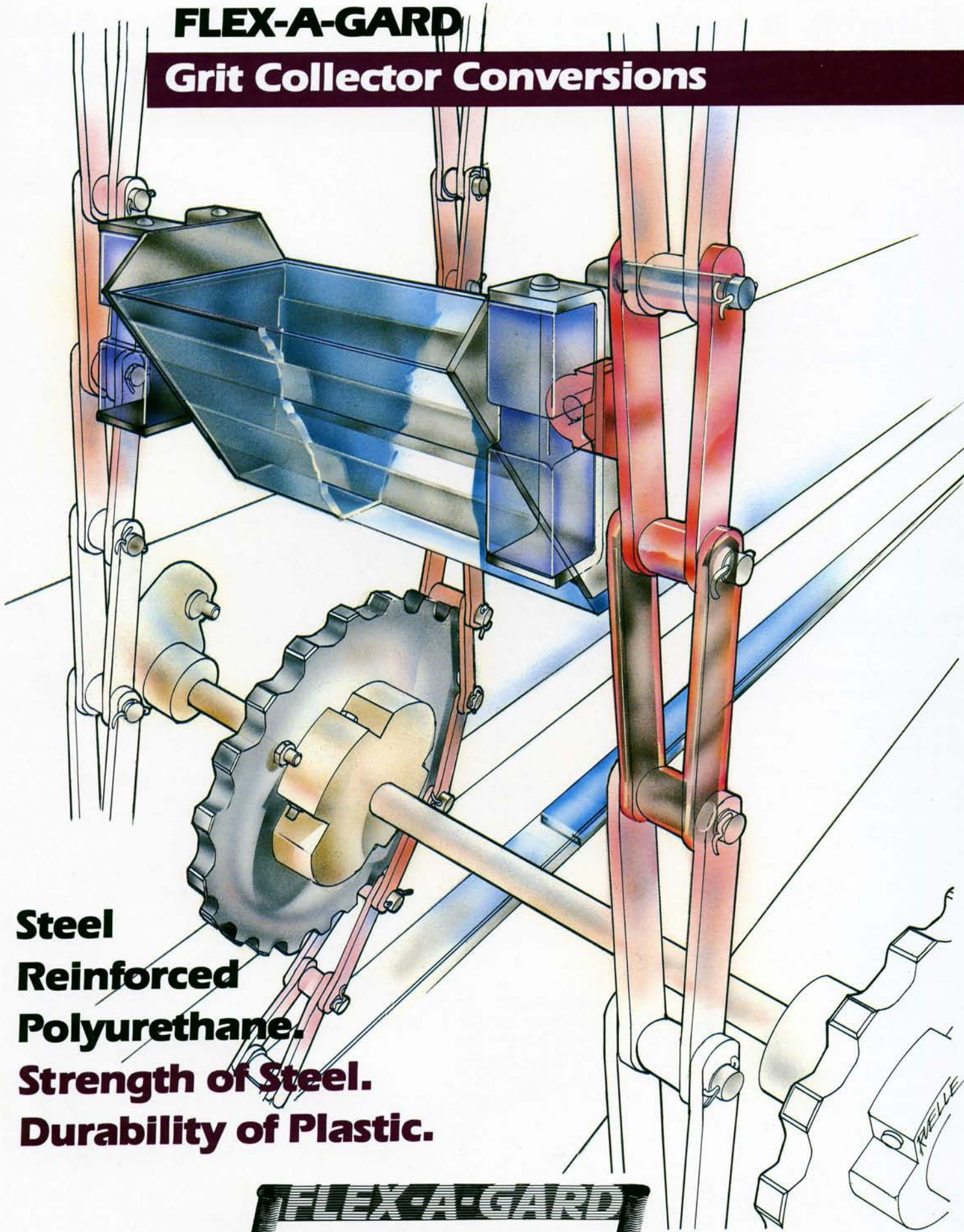


FLEX-A-GARD

Grit Collector Conversions



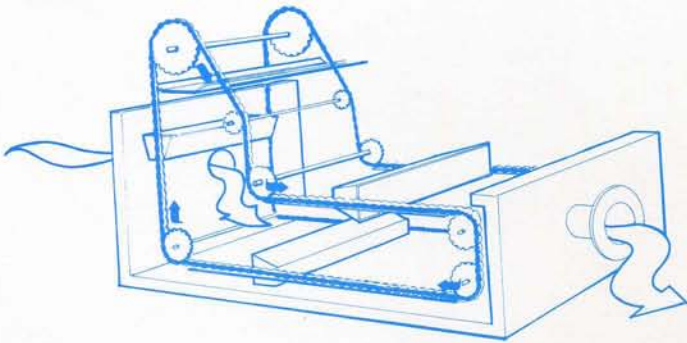
**Steel
Reinforced
Polyurethane.
Strength of Steel.
Durability of Plastic.**

FLEX-A-GARD

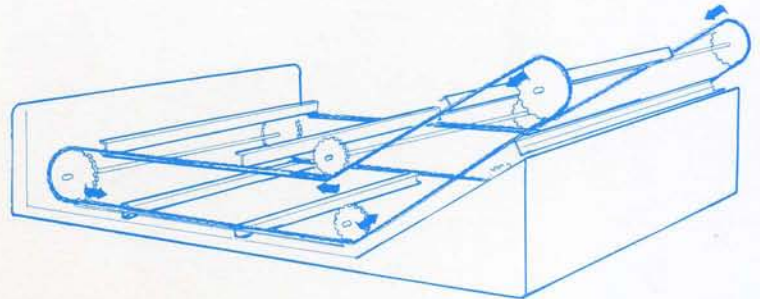
A Division of Flex-a-Seal, One Jackson Street, P.O. Box 184, Essex Jct. VT 05453-0184

(800) 426-3594 FAX (802) 878-2479

Finally, a high-strength, non-metallic solution to waste water's most abrasive environment.



Bucket Type



Drag-Out Flight Type



720 PS Polyurethane Steel Reinforced Chain

Constructed expressly for use in tough applications such as bar screens, grit collectors, DAF units, long primary clarifiers and cross collectors. Lightweight and very corrosion resistant.

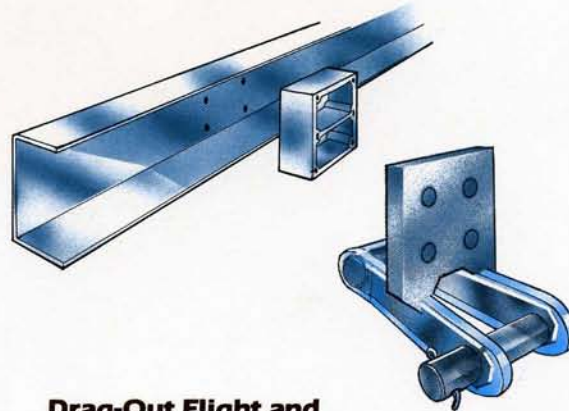
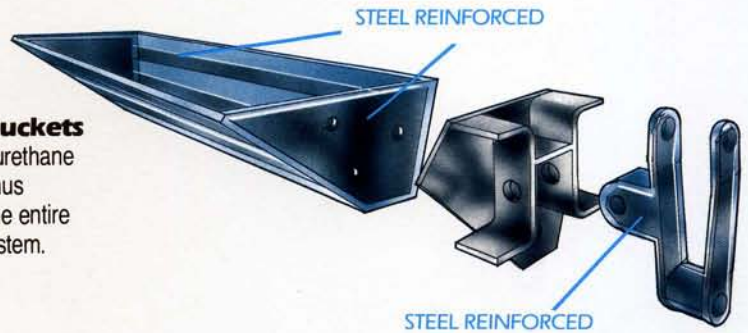


Rail

Unique stainless steel attachment allows grit resistant plastic rail to be attached full-length without use of weld washers or plugs.

Grit Collector Buckets

Steel Reinforced Polyurethane provides low weight, thus increasing the life of the entire chain and sprocket system.



Drag-Out Flight and Chain Attachment (F2)

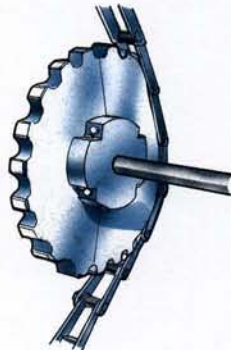
Solid UHMW Flight is lightweight and highly resistant to attack by waste water. Replaces heavy metal type flight without system modification.

Attachment Links for 720 PS Chain

Many types available from stock: A2; AD474; A117; AM116; F2-6; F2-8; F2-3.75. All other types can be constructed in Steel Reinforced Polyurethane to meet your needs.

Sprockets

Constructed of nylon, UHMW, and combination metal and plastic. All common waste water treatment sprockets available. Competitive prices.



One Jackson Street, P.O. Box 184,
Essex Jct. VT 05453-0184

(800) 426-3594 FAX (802) 878-2479