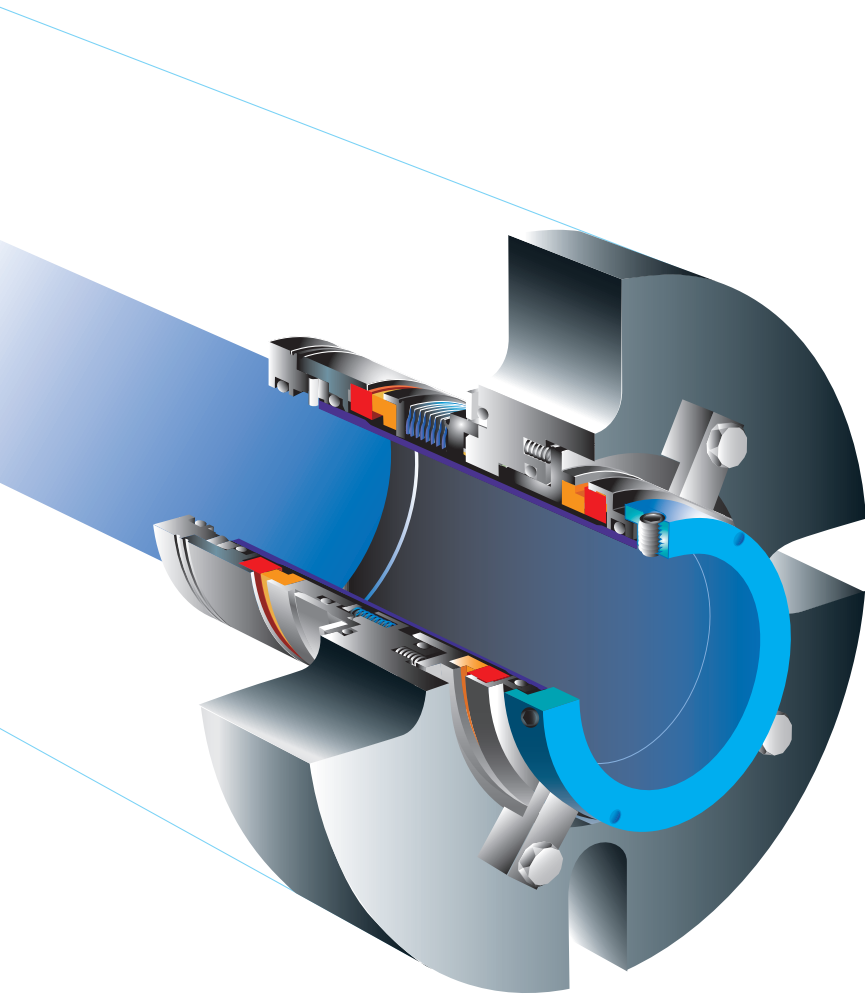


Styles 73 and 75 Double Cartridge Seals



environmental protection



Flex-A-Seal is a respected leader in the design and manufacture of cartridge seals for critical toxic and fugitive emission applications where single seals are not acceptable. The simple idea of a second layer of protection provides

Back Up System

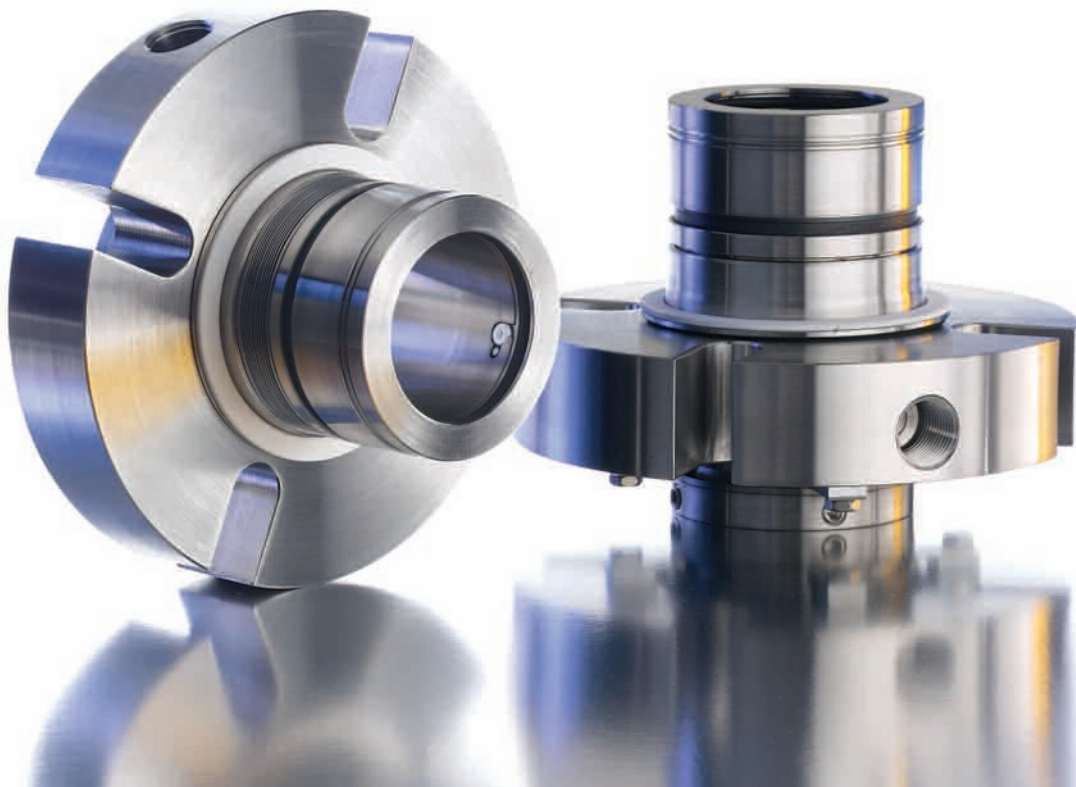
the level of assurance that the world has come to expect. The Style 73 offers the advantages of an inboard stationary metal bellows design, while the Style 75 offers the efficiency and economy of springs isolated from the product. We have concentrated on the customer's need for easy installation and low maintenance that can be operated in a pressurized or non-pressurized state. These designs fit pumps with standard and enlarged bores without modification.

Retained faces eliminate the need for troublesome drive pins. Unlike traditional cup point set screws, which are commonly used in the rotary unit, Flex-A-Seal replaces them with stainless steel drive lugs, resulting in a five-fold increase in torque transmission strength. In addition, there are no set screws to back out and the possibility of sleeve distortion is

eliminated while the entire drive mechanism is out of the product. Both double

Peace of Mind

cartridge seal designs are hydraulically balanced and the shrouded face provides additional protection. Creative solutions offer the best hope for the preservation of our natural resources.



Materials of Construction

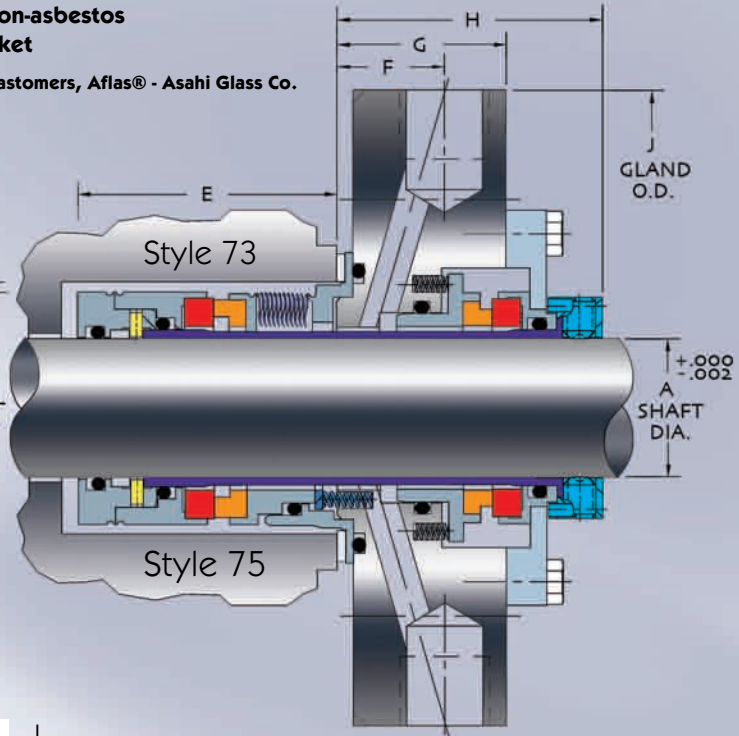
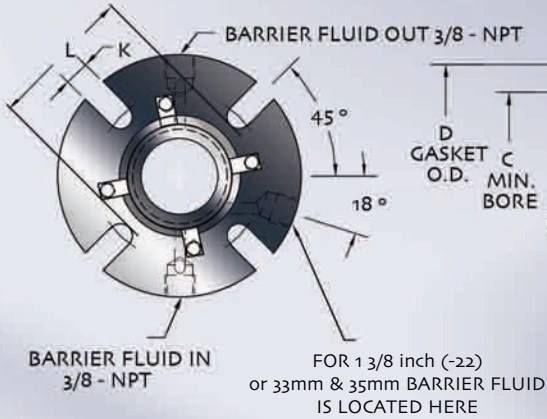
	Style 73	Style 75
Rotary Faces	Silicon Carbide	Silicon Carbide
Stationary Faces	Carbon Ni Tungsten Carbide Silicon Carbide	Carbon Ni Tungsten Carbide Silicon Carbide
Springs	N/A	Alloy 276
Bellows	Alloy 276 Exotic Alloys Available	N/A
Metal Parts	316 SS Exotic Alloys Available	316 SS Exotic Alloys Available
"O" Rings	Viton®, EPR, Kalrez®, AFLAS®, TJV	Viton®, EPR, Kalrez®, AFLAS®, TJV
Gasket	GFT, non-asbestos gasket	GFT, non-asbestos gasket

Operating Conditions

	Style 73	Style 75
*Max. Temp.	400°F (204°C) consult factory for higher temperatures.	400°F (204°C) consult factory for higher temperatures.
*Max. Pressure	300 PSI (20 bar)	300 PSI (20 bar)
Differential Pressure	15 - 25 PSIG recommended: consult factory if greater.	N/A
*Max. Speed	up to 3600 rpm	up to 3600 rpm

* Maximum temperature / pressure / speed indicates operating extremes independently and does not imply the seal will function at these extremes at the same time. Contact Flex-A-Seal Engineering if in doubt.

Registered Trademarks: Viton®, Kalrez® - Dupont Performance Elastomers, Aflas® - Asahi Glass Co.



METRIC

Size	A	B	C	D	E	F	G	H	J	K	L
24	24.0	43.2	44.5	56.6	49.7	19.0	32.5	50.8	101.6	11.1	60.3
25	25.0	43.2	44.5	56.6	49.7	19.0	32.5	50.8	101.6	11.1	60.3
28	28.0	43.2	44.5	56.6	49.7	19.0	32.5	50.8	108.0	11.1	62.7
30	30.0	49.5	50.8	59.8	49.7	19.0	32.5	50.8	108.0	11.1	65.6
32	32.0	49.5	50.8	59.8	49.7	19.0	32.5	50.8	108.0	11.1	65.6
33	33.0	49.5	50.8	63.0	49.7	19.0	32.5	50.8	108.0	11.1	68.9
35	35.0	49.5	50.8	63.0	49.7	19.0	32.5	50.8	108.0	11.1	68.9
38	38.0	55.9	57.2	66.2	49.7	19.0	32.5	50.8	114.3	14.3	74.9
40	40.0	59.1	60.3	72.5	49.7	19.0	32.5	50.8	127.0	14.3	78.1
43	43.0	62.2	63.5	75.9	49.7	20.6	32.5	50.8	139.7	14.3	81.0
45	45.0	62.2	63.5	75.9	49.7	20.6	32.5	50.8	139.7	14.3	81.0
48	48.0	65.4	66.7	78.9	49.7	19.0	32.5	50.8	139.7	14.3	84.2
50	50.0	68.6	69.9	82.0	49.7	19.0	32.5	50.8	139.7	14.3	90.7
53	53.0	71.8	73.0	88.6	49.7	19.0	32.5	50.8	152.4	17.5	93.7
55	55.0	74.9	76.2	91.6	49.7	19.0	32.5	50.8	158.8	17.5	96.9
58	58.0	81.2	82.6	94.7	52.8	19.0	33.4	58.5	158.8	17.5	100.0
60	60.0	81.2	82.6	94.7	52.8	19.0	33.4	58.5	158.8	17.5	100.0
63	63.0	84.3	85.7	97.9	51.0	19.0	33.4	51.7	165.1	17.5	100.0
65	65.0	90.4	92.1	103.4	52.1	19.0	33.4	51.7	165.1	17.5	106.4
68	68.0	92.7	95.2	109.7	52.1	19.0	33.4	51.7	190.5	17.5	112.7
70	70.0	92.7	95.2	109.7	52.1	19.0	33.4	51.7	190.5	17.5	112.7
72	72.0	96.1	98.4	113.0	56.0	19.0	40.1	58.5	190.5	17.5	117.5
75	75.0	99.1	101.6	119.4	55.9	19.0	40.1	58.4	203.2	17.5	128.6
80	80.0	106.0	108.0	125.7	58.8	19.0	38.8	57.2	209.6	17.5	131.7
85	85.0	109.2	111.1	128.9	57.2	19.0	40.1	58.5	215.9	20.6	134.9
90	90.0	115.7	117.5	135.3	57.2	19.0	40.1	58.5	215.9	20.6	141.3
95	95.0	118.9	120.6	138.4	56.0	19.0	40.1	58.5	222.2	20.6	164.3

IMPERIAL

Size	A	B	C	D	E	F	G	H	J	K	L
-16	1.000	1.700	1.750	2.230	1.958	.750	1.280	2.000	4.000	.437	2.375
-18	1.250	1.700	1.750	2.230	1.958	.750	1.280	2.000	4.250	.437	2.463
-20	1.250	1.950	2.000	2.355	1.958	.750	1.280	2.000	4.250	.437	2.583
-22	1.375	1.950	2.000	2.480	1.958	.750	1.280	2.000	4.250	.437	2.713
-24	1.500	2.200	2.250	2.605	1.958	.750	1.280	2.000	4.500	.562	2.950
-26	1.625	2.325	2.375	2.855	1.958	.750	1.280	2.000	5.000	.562	3.075
-28	1.750	2.450	2.500	2.990	1.958	.812	1.280	2.000	5.500	.562	3.188
-30	1.875	2.575	2.625	3.105	1.958	.750	1.280	2.000	5.500	.562	3.313
-32	2.000	2.700	2.750	3.230	1.958	.750	1.280	2.000	5.500	.562	3.570
-34	2.125	2.825	2.875	3.490	1.958	.750	1.280	2.000	6.000	.687	3.688
-36	2.250	2.950	3.000	3.605	1.958	.750	1.280	2.000	6.250	.687	3.813
-38	2.375	3.195	3.250	3.730	2.080	.750	1.312	2.303	6.250	.687	3.938
-40	2.500	3.320	3.375	3.855	2.008	.750	1.312	2.035	6.500	.687	3.938
-42	2.625	3.560	3.625	4.070	2.053	.750	1.312	2.035	6.500	.687	4.188
-44	2.750	3.650	3.750	4.320	2.053	.750	1.312	2.035	7.500	.687	4.438
-46	2.875	3.785	3.875	4.450	2.203	.750	1.580	2.303	7.500	.687	4.625
-48	3.000	3.900	4.000	4.700	2.200	.750	1.577	2.300	8.000	.687	5.062
-50	3.125	4.050	4.125	4.825	2.250	.750	1.580	2.303	8.000	.687	5.062
-52	3.250	4.175	4.250	4.950	2.267	.750	1.527	2.250	8.250	.687	5.188
-54	3.375	4.300	4.375	5.075	2.250	.750	1.580	2.303	8.500	.812	5.312
-56	3.500	4.430	4.500	5.200	2.203	.750	1.580	2.303	8.500	.812	5.438
-58	3.625	4.555	4.625	5.325	2.250	.750	1.580	2.303	8.500	.812	5.562
-60	3.750	4.680	4.750	5.450	2.203	.750	1.580	2.303	8.750	.812	5.687
-62	3.875	4.805	5.125	5.575	2.250	.750	1.580	2.303	8.750	.812	5.812
-72	4.500	5.680	5.750	6.450	2.350	.750	1.580	2.303	9.500	.812	6.500

ANSI big bore available - contact Flex-A-Seal for dimensional data.

A High performance double mechanical seal like Flex-A-Seal Styles 73 and 75 demands a barrier support system that maximizes the performance.

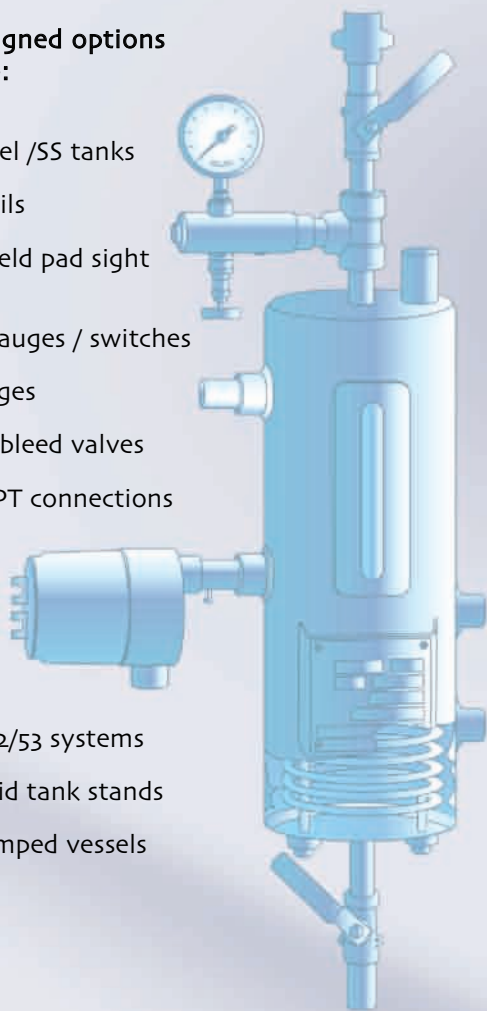
Flex-A-Seal has a wide range of system control options to handle all operating conditions. Technical specifications are available upon request.

Dual Seal Reservoirs

ANSI lite, API610, API682

Custom designed options that include:

- 2/4 Gallon carbon steel /SS tanks
- Cooling coils
- Tubular/weld pad sight gauges
- Pressure gauges / switches
- Level gauges
- Block and bleed valves
- Flange /NPT connections
- Complete API plan 52/53 systems
- Barrier fluid tank stands
- U/UM stamped vessels



Other Available Sealing Support Equipment

- Flowmeters
- Heat exchangers
- Cyclone separators
- Automatic oilers
- Bearing isolators
- Forced Lubrication Systems
- Throat Bushings



Manufacturing and stocking centers

USA

1 Jackson Street PO Box 184
Essex Junction, VT 05453-0184 USA
Phone: 1-800-426-3594 • 1-802-878-8307
Fax: 1-802-878-2479
Email: sales@flexaseal.com

BRAZIL

Rua Visconde De Taunay
59 Loja 06-CEP
Bom Retiro, Sao Paulo
Brazil CEP 01132-000
Phone: 55-11-3115-4819 • 55-11-3115-0656
Fax: 55-11-3101-1297
Email: vendas@flexaseal.com.br

AUSTRALIA

Unit 9/23 Richland Avenue
Coopers Plains 4108 QLD Australia
Phone: (07) 3272 7030
Fax: (07) 3272 9885 Mob: 0417 626025
Email: flexasealoz@bigpond.com

DISTRIBUTED BY:

