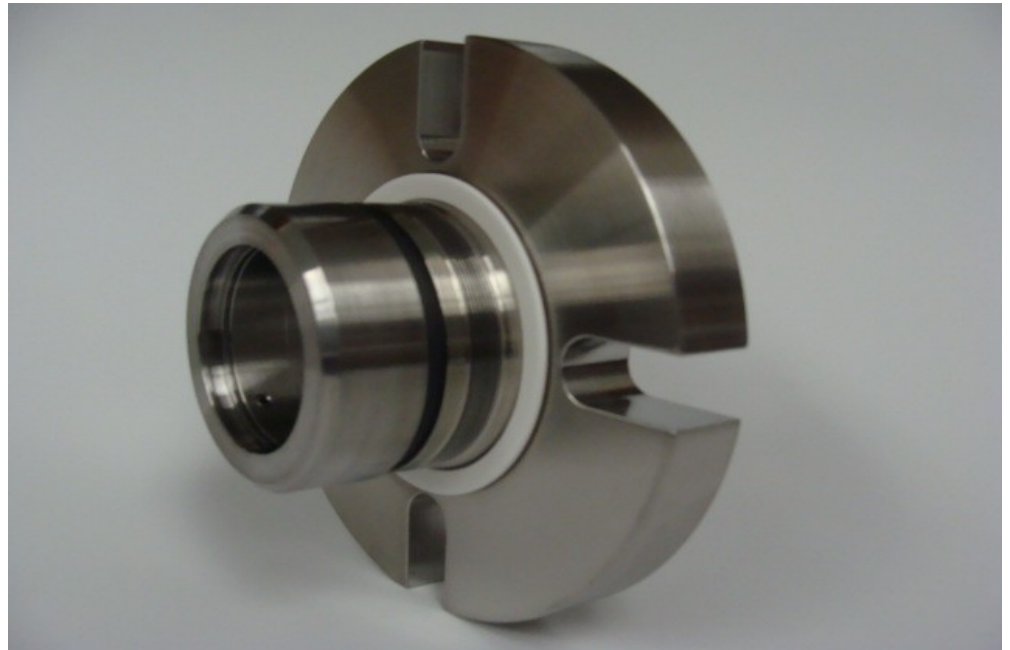


MADE IN USA 100 %



Universal Stationary Welded Bellows Cartridge Design

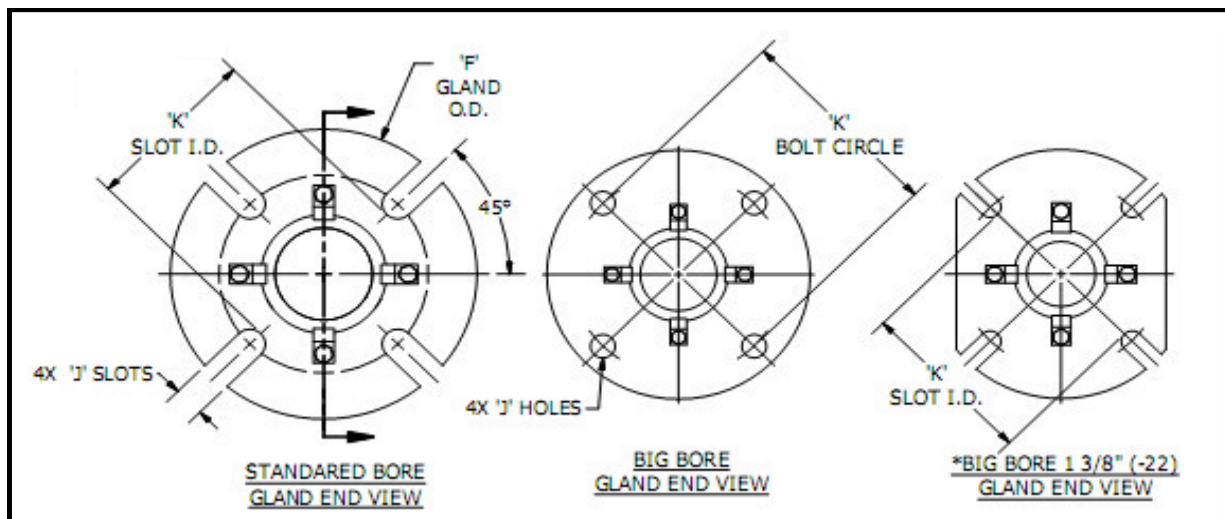
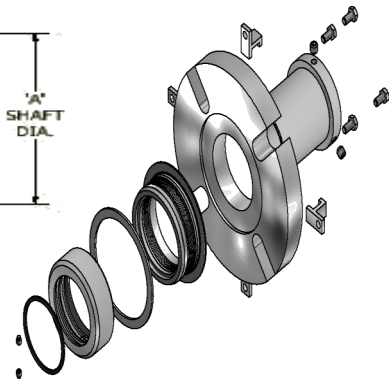
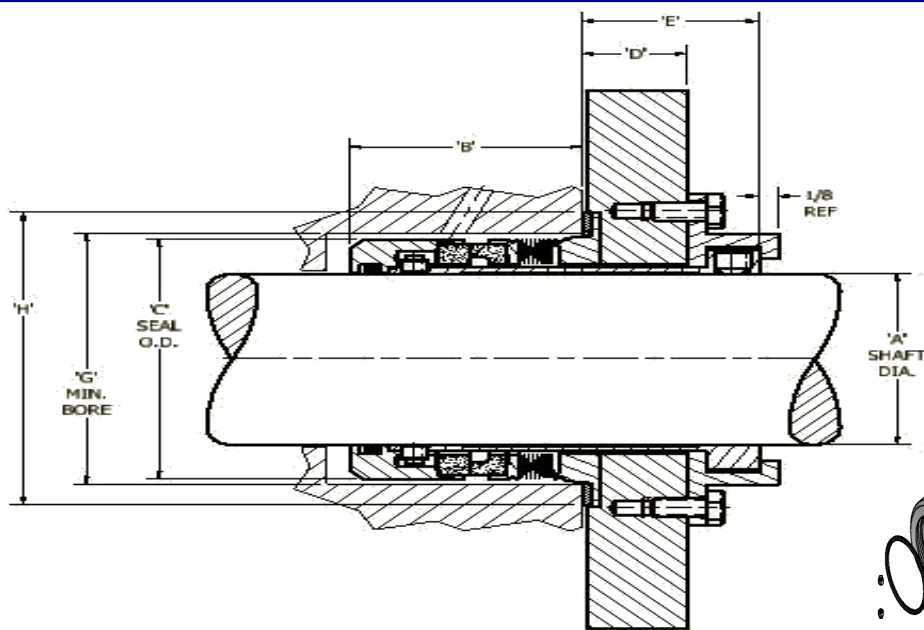
Superior Design Qualities at Phenomenally Low Prices

- *Simple, Solid, Single Cartridge Seal Construction*
- *No Dynamic Elastomers - Most common failure point with multi-spring pusher seal designs*
- *Only One "O" Ring (Especially economical if perfluoroelastomers required)*
- *Stationary Welded Metal Bellows design for better alignment:*
 - *Better than rotating seal designs*
 - *Hydraulically Balanced*
- *Seal faces positioned near lantern ring connection for enhanced heat dissipation*
- *Hard Face Options Available*
- *Hastelloy C276 Bellows*
- *Standard as well as **Big Bore** Available*

1 Jackson Street
PO Box 184
Essex Junction, VT
05453-0184 USA

Phone: 800-426-3594
802-878-8307
Fax: 802-878-2479

E-mail:
sales@flexaseal.com



STANDARD BORE										
SIZE	'A'	'B'	'C'	'D'	'E'	'F'	'G'	'H'	'J'	'K'
-22	1 3/8	1.670	1.950	.718	1.213	4 1/4	2.000	2.480	7/16	2.712
-28	1 3/4	1.595	2.450	.718	1.213	5 1/2	2.500	2.990	9/16	3.188
-30	1 7/8	1.595	2.575	.718	1.213	5 1/2	2.625	3.105	9/16	3.312

BIG BORE										
SIZE	'A'	'B'	'C'	'D'	'E'	'F'	'G'	'H'	'J'	'K'
* -22	1 3/8	1.670	1.950	.718	1.213	5 1/4	2.875	3.375	7/16	3.563
-28	1 3/4	1.595	2.450	.718	1.213	6 1/2	3.500	4.070	9/16	5.500
-30	1 7/8	1.595	2.575	.718	1.213	6	3.625	4.070	9/16	5.000

Note: MAX BORE = GASKET O.D. ('H') - .250

Materials Available

Faces: Carbon, Nickel Bound Tungsten Carbide, Silicon Carbide
 Elastomers: Viton®, Ethylene Propylene, Aflas®, Buna, Neoprene and Perfluorelastomers.
 Welded Metal Bellows Standard Hastelloy C276
 Other Metal Parts: 316, 17-4 ST ST

Operating Conditions

Max Temperature : 400° F (204°C)

Certain o-rings will lower temperature limitations.

Max Pressure : 300 PSI (20 bar)

Max Speed : 6.000 FPM (22 m/sec)

Max temperature / Pressure / Speed indicate operating extremes independently and do not imply the seal will function at these extremes at the same time.

Contact Flex-A-Seal if in doubt.