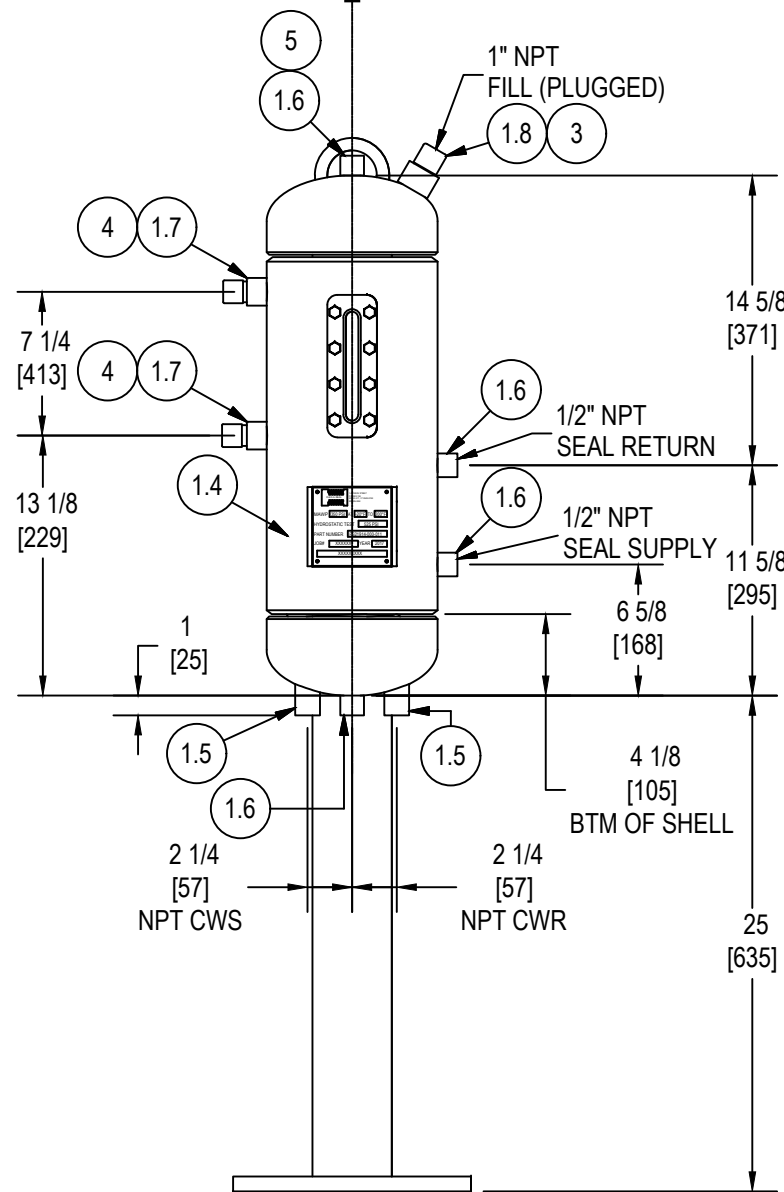
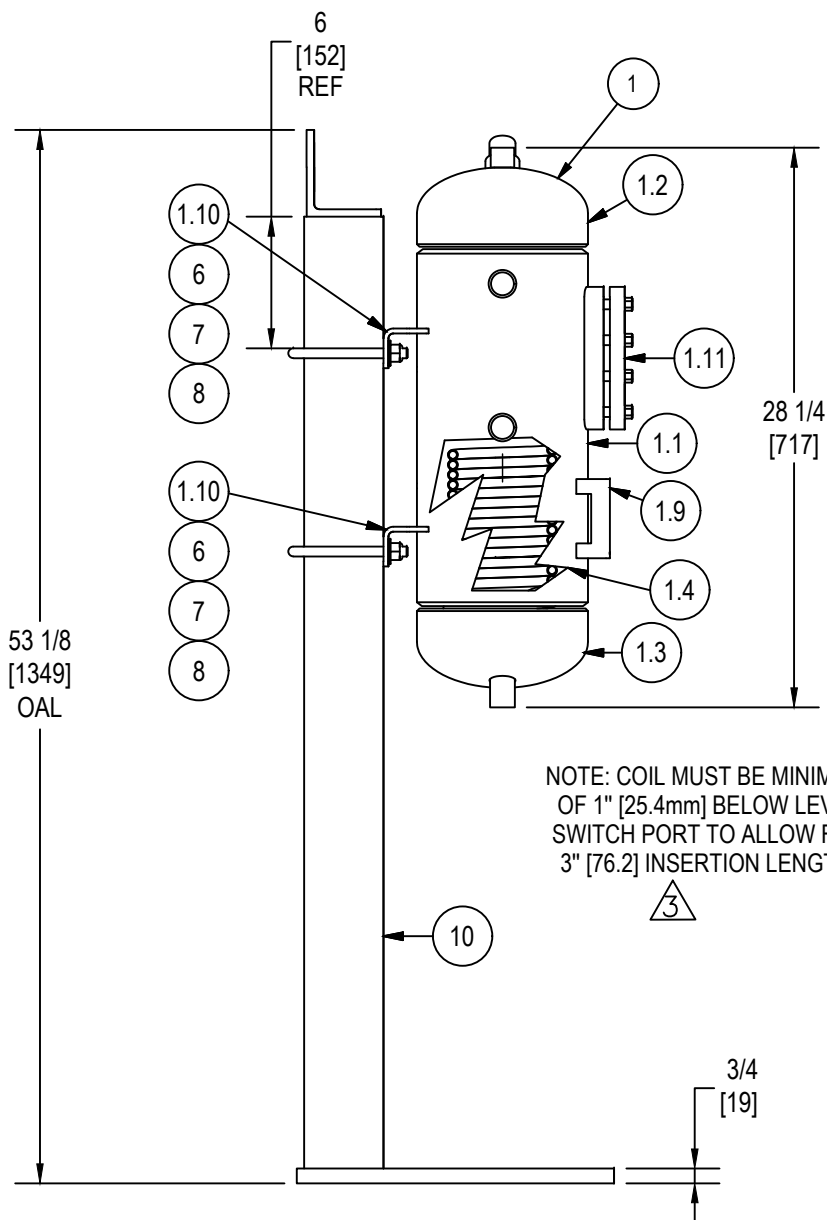
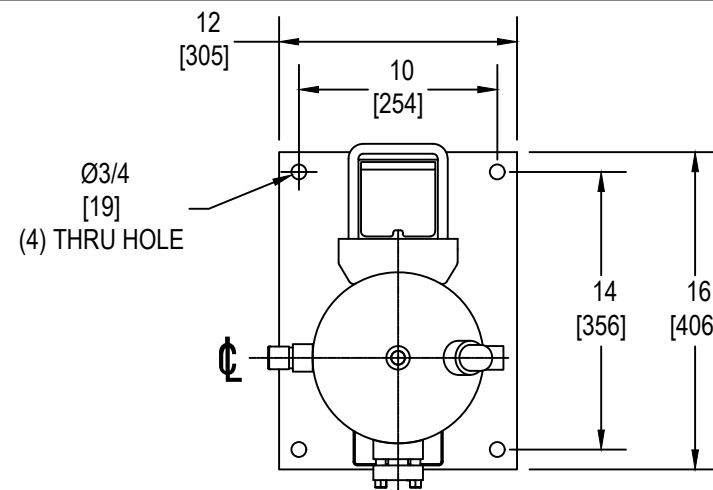
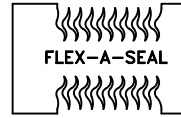


REV	ECN#	DATE	REV BY
1	3053	7/11/14	JMP
2	3134	10/2/14	JMP
3	4010	11/6/17	DW



ITEM	PART NUMBER	DESCRIPTION	MATERIAL	QTY
1	FS25042-001	BF TANK, 3/5 GAL, ANSI PLUS W/COILS - WELDED ASSY		1
1.1	G19529234	SHELL: 8", SCH 10, 18"LG WELDED PIPE EFW, BBE, T816-3	SA-312 TP316/L SS	1
1.2	G20982234	ELLIPTICAL HEAD, 8" SCH 10, VENT/FILL, SP#H816E-V-F	SA-403 TY316/L SS	1
1.3	G20975234	ELLIPTICAL HEAD, 8", SCH 10, DRAIN-COIL, SP#H816E-D-C	SA-403 TY316/L SS	1
1.4	G19001234	COOLING COILS: 1/2"DIA X .049 WALL, 20' X 4.5" CNTRS EFW	SA-249 TP316/L SS	1
1.5	G20605255	COOLING COIL FITTINGS. COUPLING 1/2"NPT X 1/2" TUBE SW, 3000#	SA-182 F316/L	2
1.6	G21644234	HALF COUPLING, 1/2" NPT, 3000#	SA-182 F316/L SS	4
1.7	G21666234	HALF COUPLING, 3/4" NPT, 3000#	SA-182 F316/L SS	2
1.8	G21631234	HALF COUPLING, 1" NPT, 3000#	SA-182 F316/L SS	1
1.9	G18970255	BRACKET: NAME PLATE STANDARD 4"x4", SP#BNAME-4-4	SA-240 TY304/L SS	1
1.10	G22339234	MOUNTING BRACKET: 8" SHELL, SP#RS-6C-8, 316	SA-403 TY304/L SS	2
1.11	FS25044-000-000	LEVEL GAUGE, 5 1/2" VISIBLE - WELD PAD / ARMORED REFLEX GLASS, INFERNO #DW3E	SA-479 TY316/L SS WTD PAINTED CARBON ST. COVER	1
3	FS25045-R01-016	PLUG 1" NPT, ROUND HEAD	SA-182 F316/L SS	1
4	FS25045-R01-012	PLUG 3/4" NPT, ROUND HEAD	SA-182 F316/L SS	2
5	FS25045-R01-008	PLUG 1/2" NPT, ROUND HEAD	SA-182 F316/L SS	1
6	FS25046-R18-000	SQ-U-BOLT, 1/2-13UNC X 5 3/4" DP, 4 1/2" THROAT	ZINC PLT.	2
7	FS25047-R18-008	PLAIN FLAT WASHER, 1/2 - REGULAR - TYPE B	ZINC PLT.	4
8	FS25048-R18-008	NYLOK LOCK NUT, 1/2"-13 UNC	ZINC PLT.	4
9	FS22086-R14-001	F-A-S NAMEPLATE FOR BARRIER FLUID TANKS, 4"x4"	304 S.S.	1
10	FS22618-000-001	STANDARD BARRIER FLUID TANK STAND, 4 X 4	PAINTED CARBON ST.	1

NOTE: DRAWING REFLECTS BASE TANK WITH COILS AS PURCHASED. P/NS 1.1-1.11 ARE PERMANENTLY WELDED, ITEMS 3-10 ARE REMOVABLE.



1 JACKSON STREET  
P.O. BOX 184  
ESSEX JCT., VT 05453-0184  
800-426-3594

MAWP  PSI AT °F TO °F

HYDROSTATIC TEST  PSI

PART NUMBER

JOB#  YEAR

- 1.) ALL DIMENSIONS ARE ±1/4" ON VESSEL, ±1/2" ON PLUMBING, ±2° UNLESS OTHERWISE SPECIFIED.
- 2.) VESSEL TO BE BUILT PER ASME SECT.VIII, DIV. 1. E2010, 2011a ADDENDA.
- 3.) MAWP IS 350 PSI @ -20° TO 200° F
- 4.) HYDRO @ 525 PSI

DIMENSIONS ARE INCHES  
[DIMENSIONS IN BRACKETS ARE MM]

3/5 GALLON ANSI PLUS  
SEAL RESERVOIR  
PLAIN  
WITH COOLING COILS &  
STAND

**FLEX-A-SEAL, INC.**  
P.O. BOX 184/1 JACKSON ST.  
ESSEX JUNCTION, VT 05453  
(802) 878-8307

DRAWING NO.: **FS21914-ST1-001** REV. 3