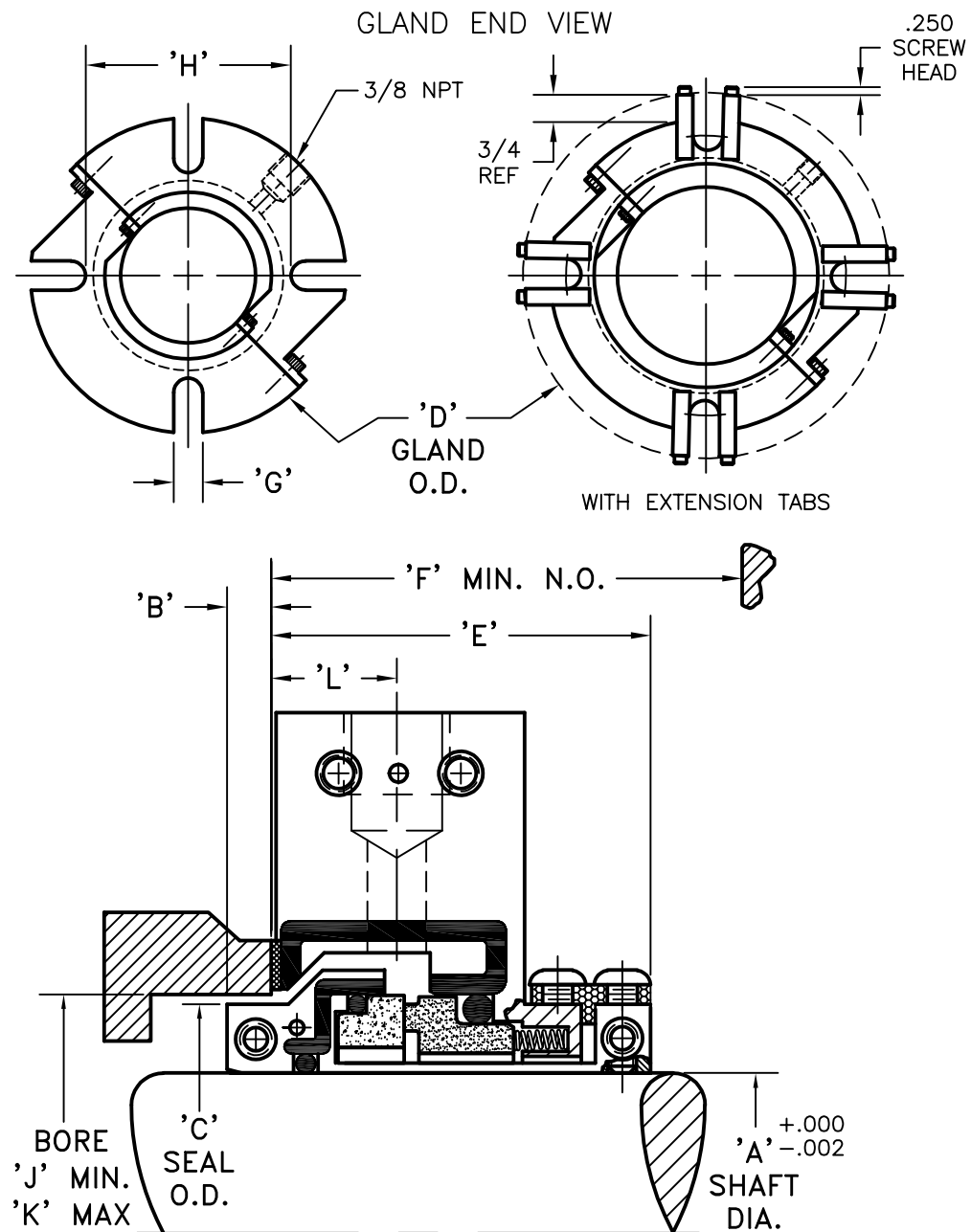


SIZE	A	B	C	D	E	F	G	H	J	K	L
-16	1.000	.250	1.687	4.75	2.125	2.500	.562	2.813	1.750	2.125	.656
-18	1.125	.250	1.812	4.88	2.125	2.500	.562	2.938	1.875	2.250	.656
-19	1.188	.250	1.936	5.00	2.125	2.500	.562	3.063	2.000	2.375	.656
-20	1.250	.250	1.936	5.00	2.125	2.500	.562	3.063	2.000	2.375	.656
-23	1.437	.250	2.187	5.25	2.125	2.500	.562	3.125	2.250	2.625	.656
-24	1.500	.250	2.187	5.25	2.125	2.500	.562	3.125	2.250	2.625	.656
-26	1.625	.250	2.312	5.25	2.125	2.500	.562	3.250	2.375	2.750	.656
-27	1.687	.250	2.437	5.50	2.125	2.500	.562	3.375	2.500	2.875	.656
-28	1.750	.250	2.437	5.50	2.125	2.500	.562	3.375	2.500	2.875	.656
-30	1.875	.250	2.562	5.50	2.125	2.500	.562	3.344	2.625	3.000	.656
-31	1.937	.250	2.625	5.44	2.125	2.500	.562	3.563	2.687	3.125	.656
-32	2.000	.250	2.687	5.44	2.125	2.500	.562	3.563	2.750	3.125	.656
-33	2.062	.250	2.812	6.00	2.125	2.500	.687	3.688	2.875	3.375	.656
-34	2.125	.250	2.812	6.00	2.125	2.500	.687	3.688	2.875	3.375	.656
-35	2.188	.250	2.937	6.25	2.125	2.500	.687	3.813	3.000	3.375	.656
-36	2.250	.250	3.062	6.25	2.125	2.500	.687	3.937	3.125	3.500	.656
-38	2.375	.250	3.188	6.25	2.125	2.500	.687	4.062	3.250	3.500	.656
-39	2.438	.250	3.188	6.44	2.125	2.500	.687	4.125	3.375	3.625	.656
-40	2.500	.250	3.188	6.44	2.125	2.500	.687	4.125	3.375	3.625	.656
-42	2.625	.250	3.347	6.44	2.125	2.500	.687	4.438	3.500	3.875	.656
-43	2.688	.250	3.562	7.82	2.125	2.500	.687	4.438	3.625	4.125	.656
-44	2.750	.250	3.562	7.82	2.125	2.500	.687	4.438	3.625	4.125	.656
-46	2.875	.250	3.687	7.82	2.125	2.500	.687	4.812	3.812	4.250	.656
-47	2.938	.250	3.812	7.88	2.125	2.500	.687	4.938	3.937	4.375	.656
-48	3.000	.250	3.812	7.88	2.125	2.500	.687	4.938	3.937	4.375	.656
-50	3.125	.281	4.061	8.12	2.437	2.812	.812	5.062	4.125	4.625	.812
-51	3.188	.281	4.188	8.25	2.437	2.812	.812	5.188	4.250	4.750	.812
-52	3.250	.281	4.188	8.25	2.437	2.812	.812	5.188	4.250	4.750	.812
-54	3.375	.281	4.312	8.25	2.437	2.812	.812	5.313	4.375	4.875	.812
-55	3.438	.281	4.437	8.50	2.437	2.812	.812	5.437	4.500	5.000	.812
-56	3.500	.281	4.437	8.50	2.437	2.812	.812	5.437	4.500	5.000	.812
-58	3.625	.281	4.562	8.63	2.437	2.812	.812	5.562	4.625	5.125	.812
-60	3.750	.281	4.625	8.82	2.437	2.812	.812	5.688	4.687	5.125	.812
-62	3.875	.281	4.812	8.82	2.437	2.812	.812	5.813	4.875	5.250	.812
-64	4.000	.281	4.937	8.82	2.437	2.812	.812	5.813	5.000	5.375	.812
-68	4.250	.281	5.188	9.25	2.437	2.812	.812	6.063	5.250	5.750	.812
-70	4.375	.281	5.312	9.25	2.437	2.812	.812	6.437	5.375	5.875	.812
-72	4.500	.281	5.406	9.69	2.437	2.812	.812	6.500	5.500	6.000	.812
-74	4.625	.281	5.531	9.69	2.437	2.812	.812	6.812	5.625	6.125	.812
-76	4.750	.281	5.656	9.75	2.437	2.812	.812	6.938	5.750	6.250	.812
-78	4.875	.281	5.781	10.00	2.437	2.812	.812	7.063	5.875	6.375	.812
-79	4.938	.375	6.188	*10.75	3.062	3.812	.937	7.312	6.312	6.750	.923
-80	5.000	.375	6.188	*10.75	3.062	3.812	.937	7.312	6.312	6.750	.923
-82	5.125	.375	6.375	*11.00	3.062	3.812	.937	7.812	6.500	7.250	.923
-84	5.250	.375	6.375	*11.00	3.062	3.812	.937	7.812	6.500	7.250	.923
-88	5.500	.375	6.688	*11.50	3.062	3.812	.937	7.813	6.812	7.375	.923
-92	5.750	.375	6.938	*12.00	3.062	3.812	.937	8.156	7.062	7.625	.923
-96	6.000	.375	7.188	*12.25	3.062	3.812	.937	8.437	7.312	7.875	.923
-100	6.250	.375	7.438	*12.50	3.062	3.812	.937	8.656	7.562	8.125	.923
-104	6.500	.375	7.688	*12.25	3.062	3.812	.937	8.813	7.812	8.375	.923
-108	6.750	.375	7.938	*12.50	3.250	4.000	.937	9.312	8.062	8.625	.923
-112	7.000	.375	8.188	*12.75	3.250	4.000	.937	9.562	8.312	8.750	.923
-113	7.062	.375	8.438	*13.50	3.250	4.000	.937	9.750	8.562	9.125	.923
-120	7.500	.375	8.687	*13.75	3.250	4.000	1.000	10.062	8.812	9.500	.923
-136	8.500	.375	9.688	*14.25	3.250	4.000	1.000	11.000	9.812	10.250	.923
-140	8.750	.375	9.875	*17.00	3.250	4.000	1.250	11.250	10.000	10.625	.923

(*) SIZES USE SLOT EXTENSION TABS

REV	ECN#	DATE	REV BY
7	1725	3/22/06	B.P.



STYLE 85
 STATIONARY MULTI-SPRING
 FULLY SPLIT CARTRIDGE MECHANICAL SEAL
 U.S. PATENT NO. 5662340 ACTIVE 1997-2017

FLEX-A-SEAL, INC
 P.O. BOX 184/ 1 JACKSON ST.
 ESSEX JUNCTION, VT 05453
 (802)878-8307

SK1057 REV. 7