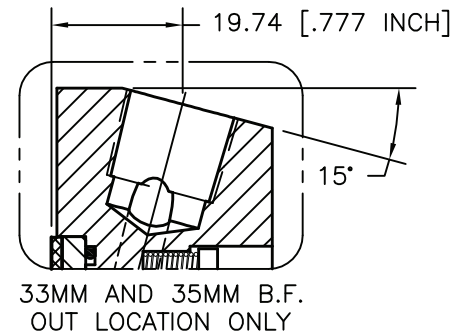
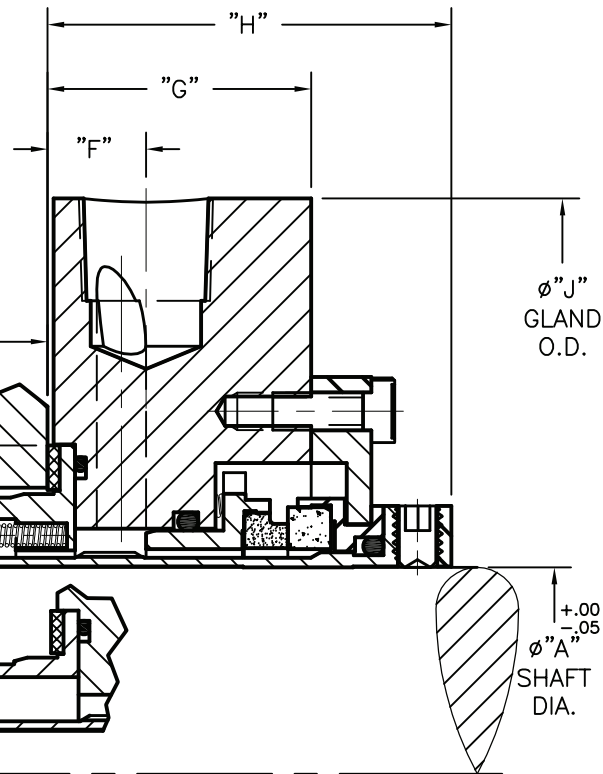
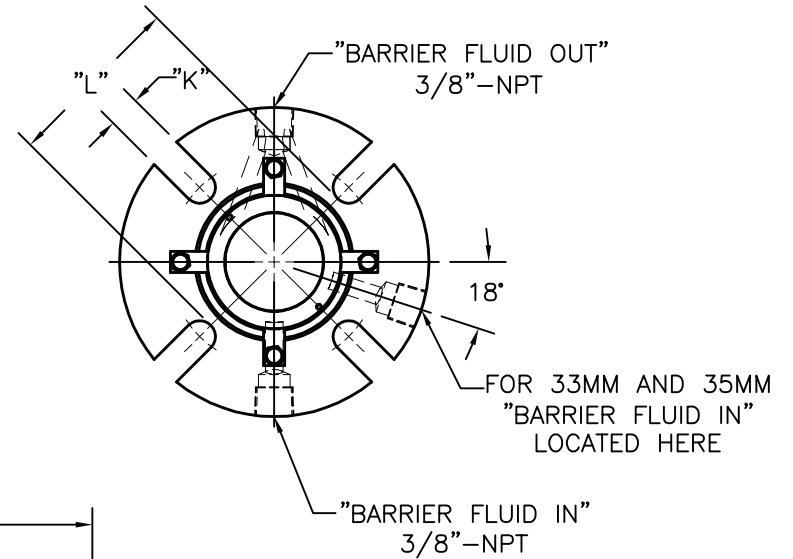


SIZE	A	B	C	D	E	F	G	H	J	K	L
24	24.0	43.2	44.5	56.6	53.8	12.7	34.0	52.4	101.6	11.1	60.3
25	25.0	43.2	44.5	56.6	53.8	12.7	34.0	52.4	101.6	11.1	60.3
28	28.0	43.2	44.8	56.6	51.8	12.7	33.2	51.6	108.0	11.1	62.7
30	30.0	49.5	50.8	59.8	53.8	12.7	34.0	52.4	108.0	11.1	65.6
32	32.0	49.5	50.8	59.8	53.8	12.7	34.0	52.4	108.0	11.1	65.6
33	33.0	49.5	50.8	63.0	51.8	19.7	33.2	51.6	108.0	11.1	68.9
35	35.0	49.5	50.8	63.0	51.8	19.7	33.2	51.6	108.0	11.1	68.9
38	38.0	55.9	57.2	66.2	53.8	12.7	34.0	52.4	114.3	14.3	74.9
40	40.0	59.1	60.3	72.5	53.8	12.7	34.0	52.4	127.0	14.3	78.1
43	43.0	62.2	63.5	75.9	53.8	12.7	34.0	52.4	139.7	14.3	81.0
45	45.0	62.2	63.5	75.9	53.8	12.7	34.0	52.4	139.7	14.3	81.0
48	48.0	65.4	66.7	78.9	53.8	12.7	34.0	52.4	139.7	14.3	84.2
50	50.0	68.6	69.9	82.0	53.8	12.7	34.0	52.4	139.7	14.3	87.3
53	53.0	71.8	73.0	88.6	53.8	12.7	34.0	52.4	152.4	17.5	93.7
55	55.0	74.9	76.2	91.6	53.8	12.7	34.0	52.4	158.8	17.5	96.9
58	58.0	81.2	82.6	94.7	53.8	12.7	34.0	52.4	158.8	17.5	100.0
60	60.0	81.2	82.6	94.7	53.8	12.7	34.0	52.4	158.8	17.5	100.0
63	63.0	84.3	85.7	97.9	53.8	12.7	34.0	52.4	165.1	17.5	100.0
65	65.0	90.4	92.1	103.4	53.8	12.7	34.0	52.4	165.1	17.5	106.4
68	68.0	92.7	95.2	109.7	53.8	12.7	34.0	52.4	190.5	17.5	112.7
70	70.0	92.7	95.2	109.7	53.8	12.7	34.0	52.4	190.5	17.5	112.7
72	72.0	96.1	98.4	113.0	61.0	12.7	41.7	60.1	190.5	17.5	117.5
75	75.0	99.1	101.6	119.4	61.0	12.7	41.7	60.1	203.2	17.5	128.6
80	80.0	106.0	108.0	125.7	62.7	12.7	41.7	60.1	209.6	17.5	131.7
85	85.0	109.2	111.1	128.9	62.3	12.7	41.7	60.1	215.9	20.6	134.9
90	90.0	115.7	117.5	135.3	62.3	12.7	41.7	60.1	215.9	20.6	141.3
95	95.0	118.9	120.6	138.4	61.0	12.7	41.7	60.1	222.2	20.6	144.4

DIMENSIONS ARE IN MM  
UNLESS OTHERWISE NOTED



NOTE:  
1. MAX BORE = GASKET - 6.35 MM [.250 INCH]  
O.D.

$\phi$ "D" GASKET O.D.  
 $\phi$ "C" MIN. BORE (SEE NOTE)  
 $\phi$ "B" SEAL O.D.

$\phi$ "J" GLAND O.D.

$\phi$ "A" SHAFT DIA.  
+0.00 [.000"]  
-0.05 [.002"]

**FLEX-A-SEAL**  
P.O. BOX 184 / 1 JACKSON ST.  
ESSEX JUNCTION, VT 05453  
(802) 878-8307

**STYLE 75P/73P METRIC STATIONARY DUAL MULTI-SPRING OR WELDED METAL BELLOWS INBOARD CARTRIDGE SEAL WITH PUMPING RING**

DWG.#: **SK1892** REV.