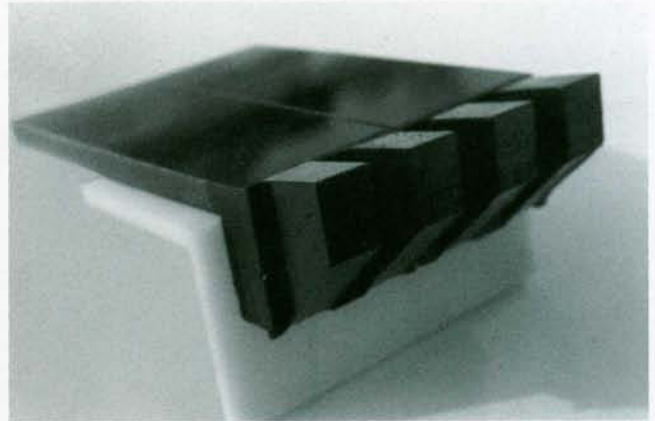
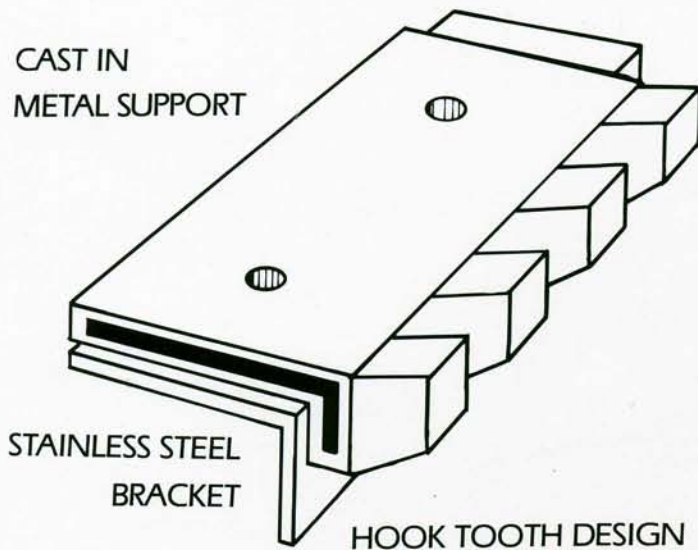


FLEX-A-GARD

POLYURETHANE BAR SCREEN RAKES



1 Flex-A-Gard steel reinforced polyurethane bar screen rakes are designed to operate in the toughest conditions that can occur in the waste water plant. They are produced by encapsulating a metal support bar in polyurethane.

2 Because polyurethane rakes are 2/3rds lighter than the steel rakes they replace, they are easier and faster to install. This quality makes working in the harsh environment of the bar screen less of a time consuming, back breaking chore.

3 Reduction of the weight of the rakes also adds considerable life to the chain and sprocket system that pulls them. 2 to 3 times the life of a conventional system is not uncommon.

4 Urethane rakes are resistant to most chemicals found in waste water. They will not rust.

5 Rakes are available in sectional design. This makes replacement a simple task.

6 Hooked tooth design greatly adds to the rakes ability to remove trash from the rack.

7 Rakes can be custom designed for your application, be it front clean or back clean.

8 With the use of polyurethane rakes you can now use non-metallic chain on your bar screen.

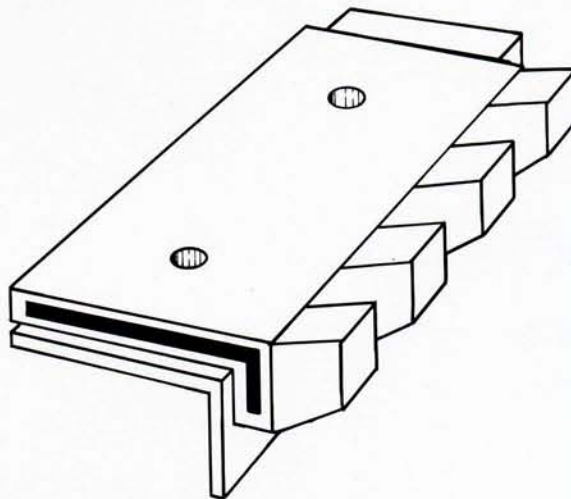
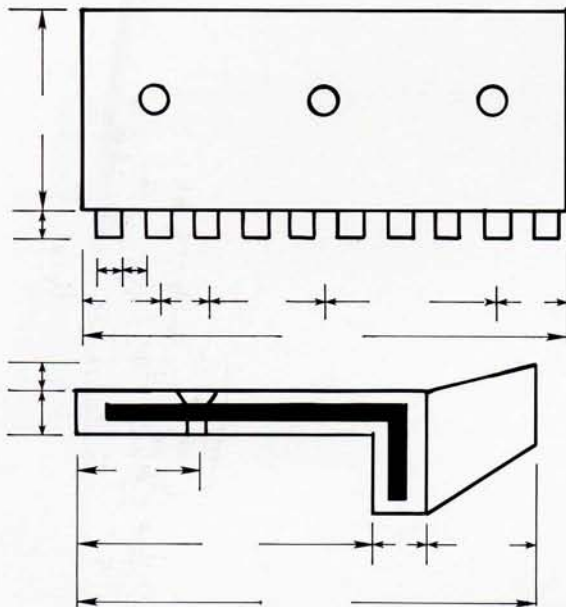


A Division of Flex-a-Seal, One Jackson Street, P.O. Box 184, Essex Jct. VT 05453-0184

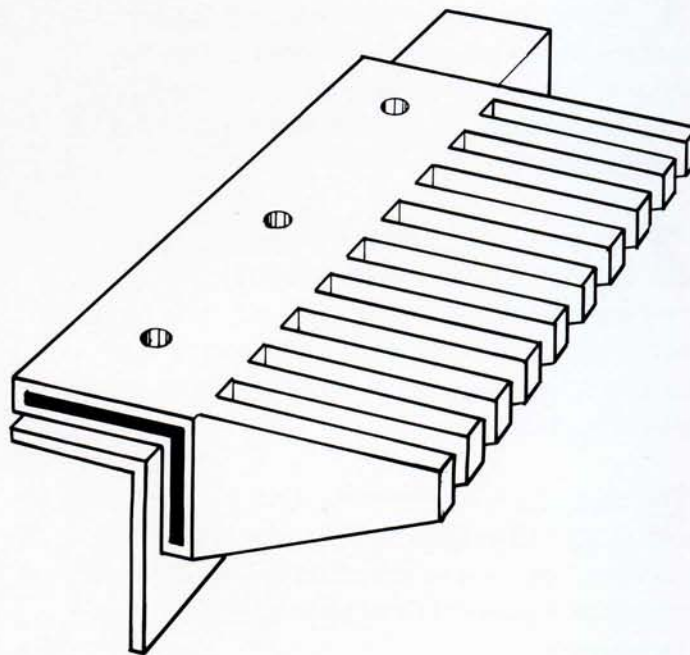
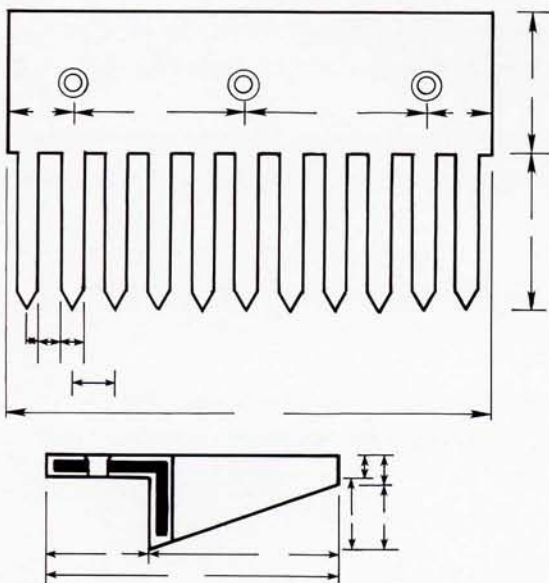
(800) 426-3594 FAX (802) 878-2479

Flex-A-Gard Rakes are constructed from polyurethane molded around an L-shaped steel support bar. Rakes are constructed in such a manner that the teeth mesh properly with the bar screen rack assembly. Rakes are attached to an angle bracket manufactured from 304 stainless steel. All hardware is 304 stainless steel.

FRONT CLEAN SECTION



BACK CLEAN SECTION



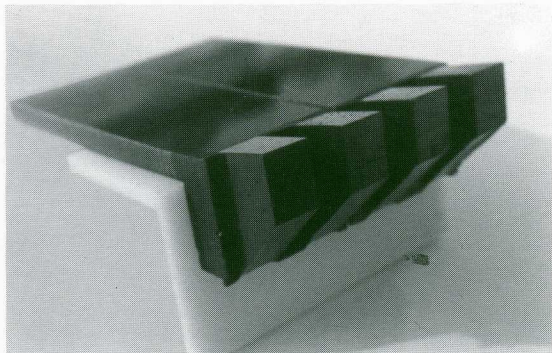
A Division of Flex-a-Seal, One Jackson Street, P.O. Box 184, Essex Jct. VT 05453-0184

(800) 426-3594 FAX (802) 878-2479

FLEX-A-GARD High Strength Plastics

BAR SCREEN CONVERSION PARTS

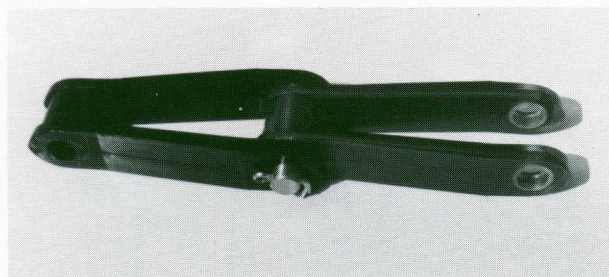
Flex-A-Gard produces a complete line of non-metallic parts for most any type of bar screen. These parts are made from the best available non-metallic materials. A conversion to a plastic system will reduce the weight of the chain and rake system by 60% or better. These parts have all been field proven in plants throughout the United States. Complete plastic systems are now possible even in the most severe screening applications.



RAKES

Steel Reinforced Polyurethane

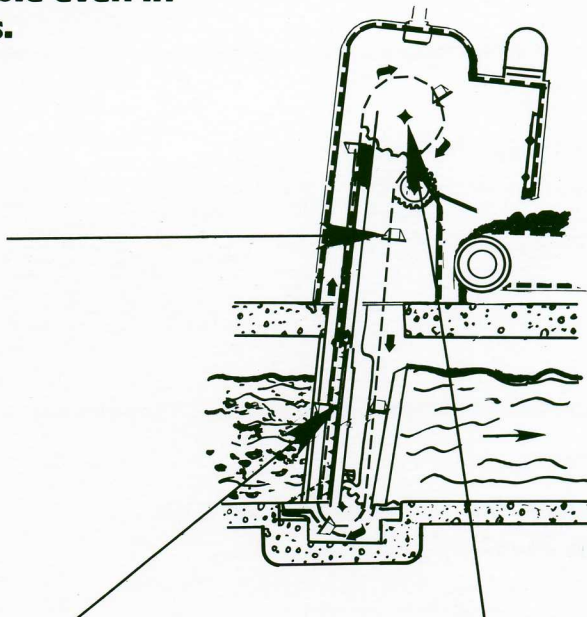
- LIGHTWEIGHT
- IMPACT RESISTANT
- SECTIONAL DESIGN
- CORROSION RESISTANT



720 PS CHAIN

Steel Reinforced Polyurethane

- SUPERIOR STRENGTH
- GRIT AND ABRASION RESISTANT
- LIGHTWEIGHT
- ADAPTABLE (CAN BE UTILIZED WITH STEEL CHAIN)



DRIVE AND IDLER SPROCKETS

Nylon, UHMW-PE, Combination Cast Iron Hub & Plastic Teeth

- REDUCES CHAIN WEAR
- EASILY CHANGED
- STRONG
- EXCELLENT WEAR



A Division of Flex-a-Seal, One Jackson Street, P.O. Box 184, Essex Jct. VT 05453-0184

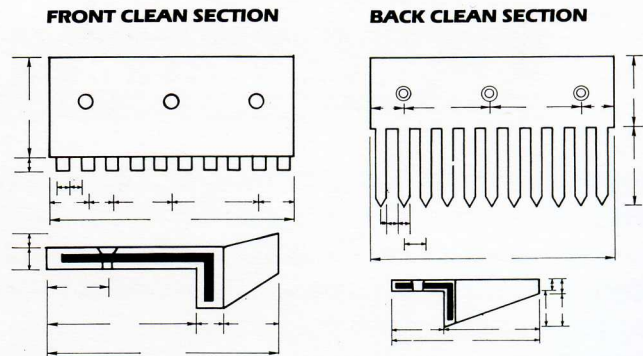
(800) 426-3594 FAX (802) 878-2479

RAKES

Reinforced Polyurethane

Because polyurethane rakes are 2/3rds lighter than the steel rakes they replace, they are easier and faster to install. This quality makes working in the harsh environment of the bar screen less of a time consuming, back breaking chore.

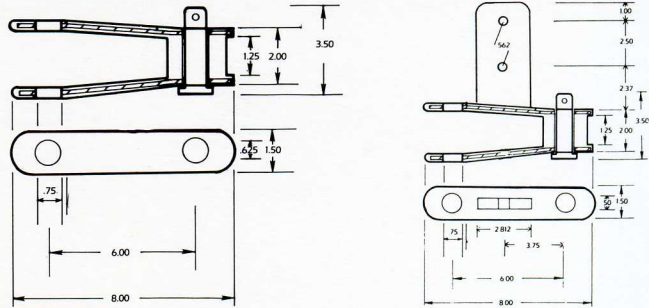
Reduction of the weight of the rakes also adds considerable life to the chain and sprocket system that pulls them. 2 to 3 times the life of a conventional system is not uncommon.



CHAIN

Reinforced Polyurethane

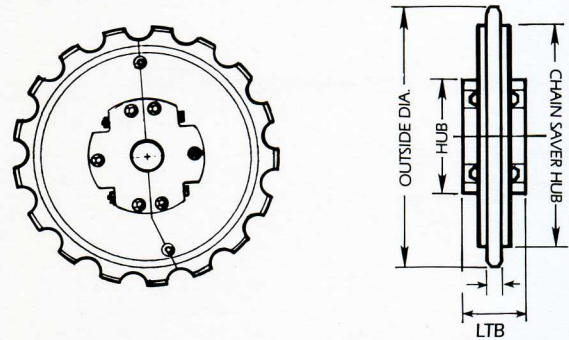
The chain is constructed by casting polyurethane around two steel support bars. This process makes 720PS chain nearly three times as strong as ordinary plastic chain.



SPROCKETS

Nylon, UHMW-PE, Combination Cast Iron Hub & Plastic Teeth

Chain lasts longer by eliminating the metal to metal contact between the chain barrel and sprocket tooth. Should there be misalignment of the sprockets, the plastic sprocket tooth will wear and not the chain side bar.



Rack

Steel or Stainless Steel

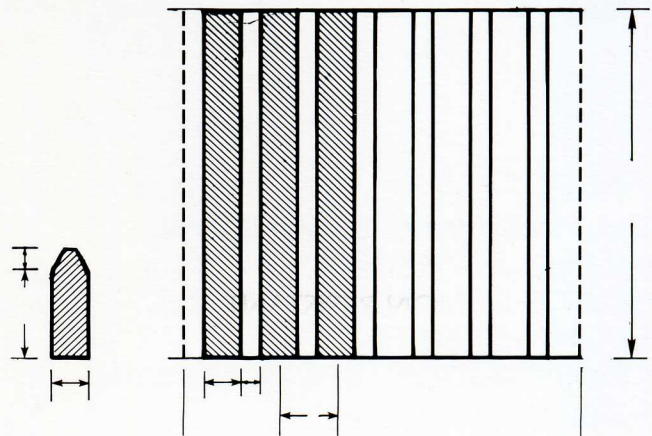
Rack bars are beveled in such a way as to reduce backside blinding commonly found in front clean screen.

It is possible to change rack opening by decreasing the distance between the bars and changing the rake tooth width to fit the new opening.

Trap More Trash By decreasing the rack opening size and making a simple modification of the rake teeth to fit the new opening, a great deal more trash can be collected.

Easier Installation Because of weight reduction, installation is less time consuming and safer for maintenance personnel.

Longer Equipment Life Weight reduction, grit resistance and general toughness of polyurethane can add years to the life of old equipment.



A Division of Flex-a-Seal, One Jackson Street, P.O. Box 184, Essex Jct. VT 05453-0184
(800) 426-3594 FAX (802) 878-2479