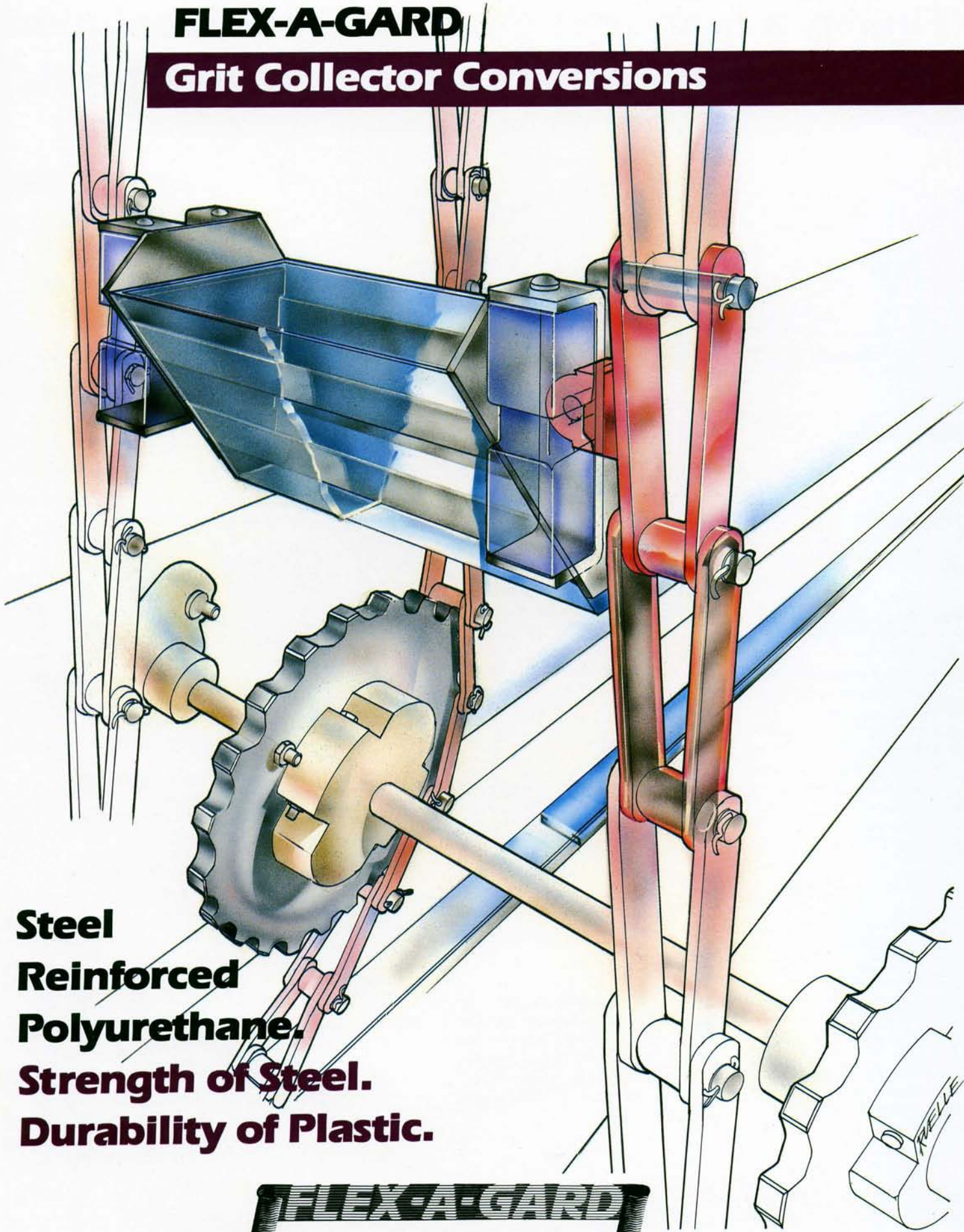


# **FLEX-A-GARD**

## **Grit Collector Conversions**



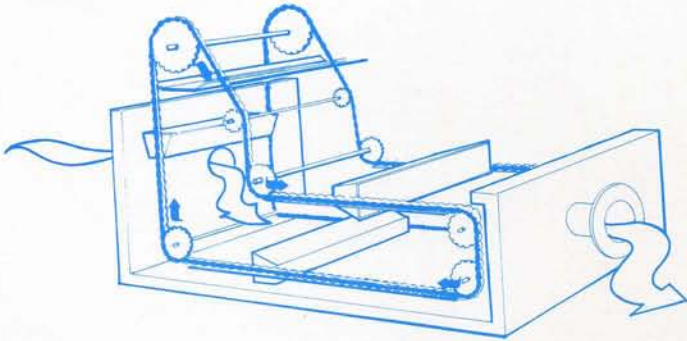
**Steel  
Reinforced  
Polyurethane.  
Strength of Steel.  
Durability of Plastic.**

**FLEX-A-GARD**

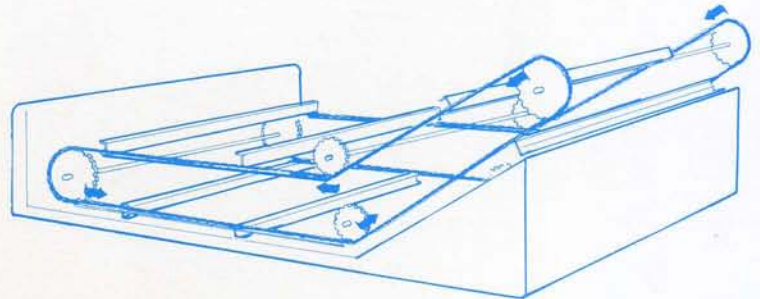
A Division of Flex-a-Seal, One Jackson Street, P.O. Box 184, Essex Jct. VT 05453-0184

**(800) 426-3594 FAX (802) 878-2479**

# Finally, a high-strength, non-metallic solution to waste water's most abrasive environment.



**Bucket Type**



**Drag-Out Flight Type**



**720 PS Polyurethane Steel Reinforced Chain**

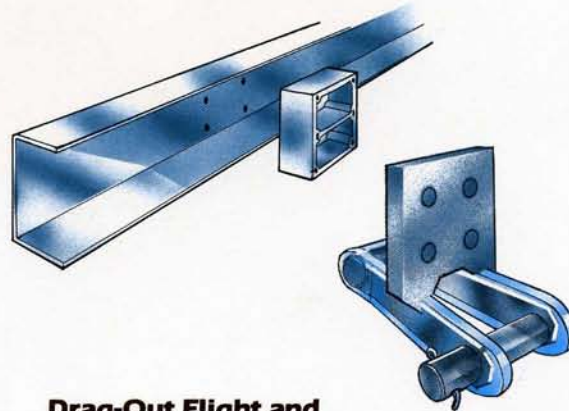
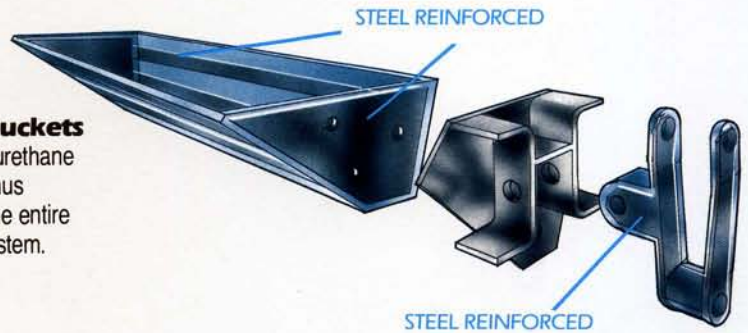
Constructed expressly for use in tough applications such as bar screens, grit collectors, DAF units, long primary clarifiers and cross collectors. Lightweight and very corrosion resistant.



**Rail**  
Unique stainless steel attachment allows grit resistant plastic rail to be attached full-length without use of weld washers or plugs.

**Grit Collector Buckets**

Steel Reinforced Polyurethane provides low weight, thus increasing the life of the entire chain and sprocket system.



**Drag-Out Flight and Chain Attachment (F2)**

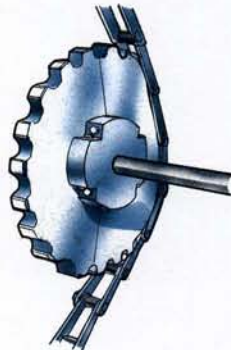
Solid UHMW Flight is lightweight and highly resistant to attack by waste water. Replaces heavy metal type flight without system modification.

**Attachment Links for 720 PS Chain**

Many types available from stock: A2; AD474; A117; AM116; F2-6; F2-8; F2-3.75. All other types can be constructed in Steel Reinforced Polyurethane to meet your needs.

**Sprockets**

Constructed of nylon, UHMW, and combination metal and plastic. All common waste water treatment sprockets available. Competitive prices.



One Jackson Street, P.O. Box 184,  
Essex Jct. VT 05453-0184

**(800) 426-3594 FAX (802) 878-2479**