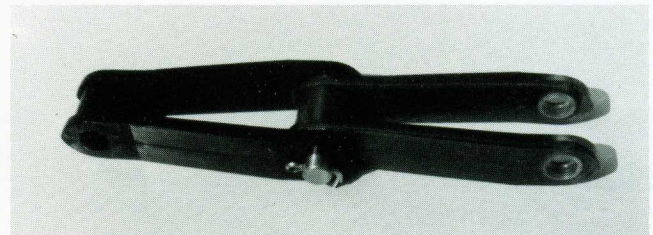
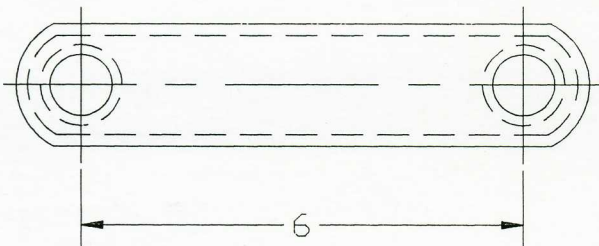
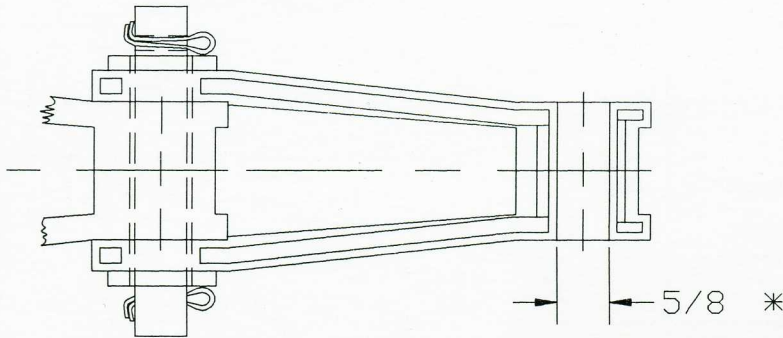


FLEX-A-GARD

720 PS REINFORCED POLYURETHANE CHAIN

Flex-A-Gard 720 PS steel reinforced polyurethane chain has been specifically designed to handle a great variety of difficult equipment applications in the waste water treatment plant.



APPLICATIONS

- BAR SCREENS
- GRIT COLLECTORS
- CROSS COLLECTORS
- LONG PRIMARY COLLECTORS

*3/4" available on request

1 The chain is constructed by casting polyurethane around two steel support bars. This process makes 720 PS chain nearly three times as strong as ordinary plastic chain while maintaining a light weight.

2 720 PS chain will not rust like metal chain, nor will it stretch like plastic chain. It incorporates a solid stainless steel pin. Field operation over the last five years indicates that

in very gritty applications practically no pin or chain barrel wear occurs.

3 720 PS chain can be used with metal or plastic sprockets and can be combined with metal and most plastic chains.

4 Many attachment links are currently available and others can be designed to meet your needs.



A Division of Flex-a-Seal, One Jackson Street, P.O. Box 184, Essex Jct. VT 05453-0184

(800) 426-3594 FAX (802) 878-2479

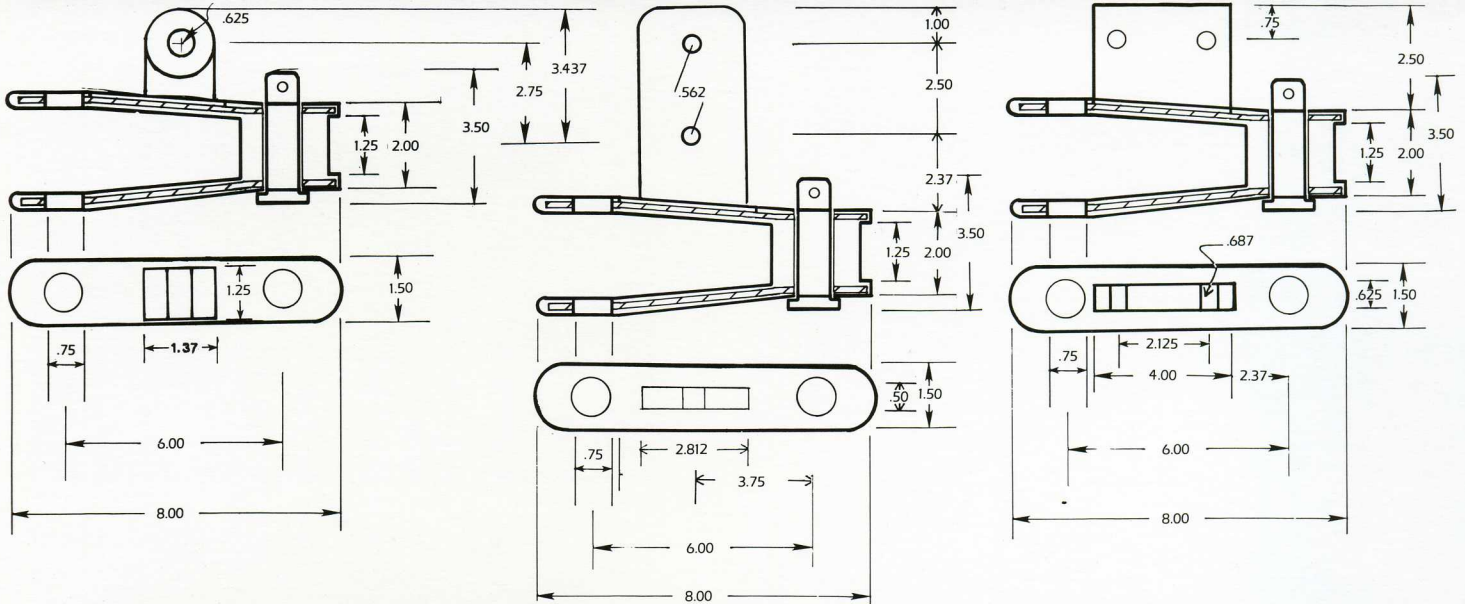
FLEX-A-GARD

ATTACHMENTS FOR 720 PS CHAIN

AM 116 ATTACHMENT

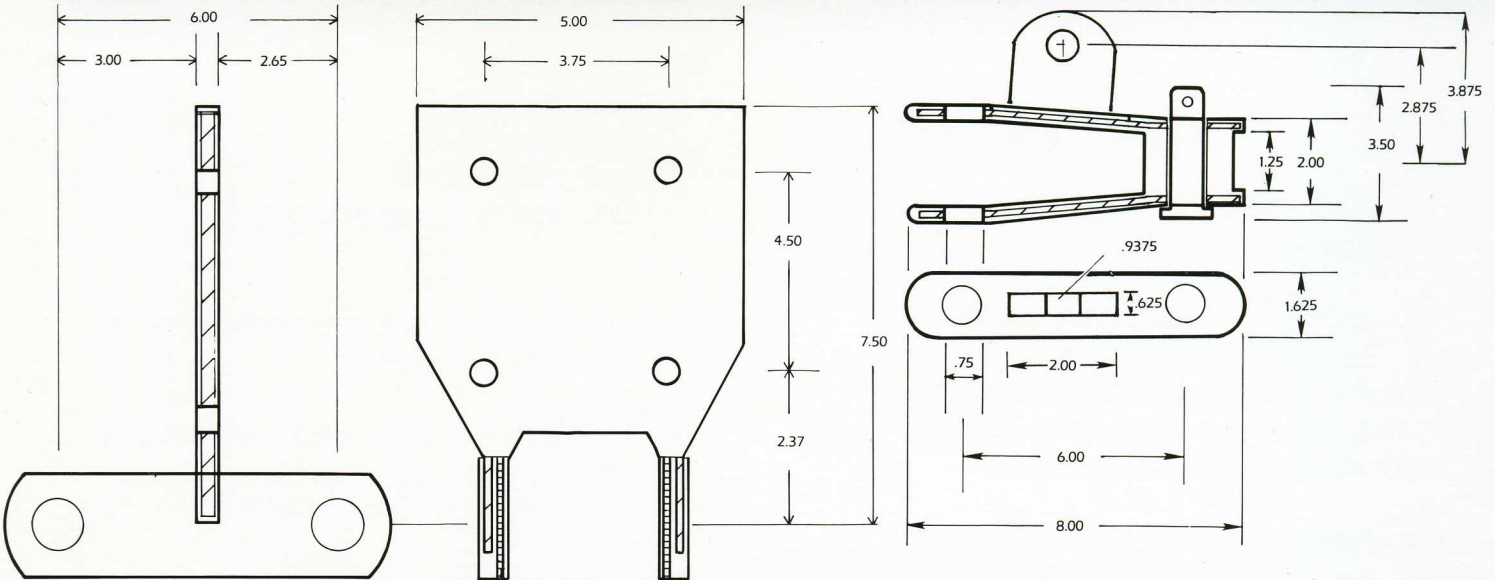
AD 474 ATTACHMENT

A-2 ATTACHMENT

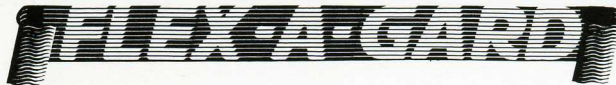


F2 ATTACHMENT

A 117 PS ATTACHMENT



Many others available or can be custom designed for your application



A Division of Flex-a-Seal, One Jackson Street, P.O. Box 184, Essex Jct. VT 05453-0184

(800) 426-3594 FAX (802) 878-2479